

WOOD DESTROYING PESTS AND ORGANISMS INSPECTION REPORT

ADDRESS OF INSPECTED PROPERTY:	REPORT #:	DATE OF INSPECTION:	NUMBER OF PAGES:
30243 Calle De Suenos, Rancho Palos Verdes, CA 90275	190434	04/29/2026	Page 1 of 7

STRUCTURAL PEST CONTROL BOARD
Branch 1, 2 & 3 Operator, #PR5121

CONTRACTORS STATE LICENSE BOARD
B-1 General Building Contractor, #771813



U.S. ENVIRONMENTAL PROTECTION AGENCY
Renovation, Repair & Painting, #NAT-41065-1

CA DEPARTMENT OF PESTICIDE REGULATION
Qualified Applicator Licenses A, B & C, #120847

Ordered By: COMPASS Abigail Waddell (310) 753-0770 agentabbyw@gmail.com	Escrow Info: Escrow #:	Property Owner: Abigail Waddell	Report Sent to:
--	---	---	------------------------

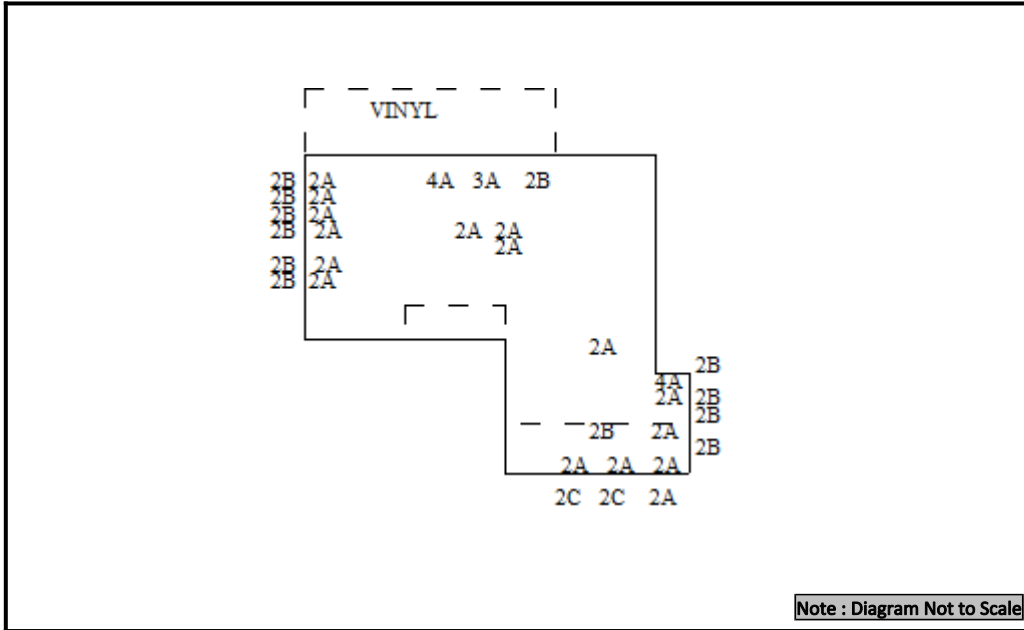
COMPLETE REPORT <input checked="" type="checkbox"/>	LIMITED REPORT <input type="checkbox"/>	SUPPLEMENTAL REPORT <input type="checkbox"/>	REINSPECTION REPORT <input type="checkbox"/>	CORRECTED REPORT <input type="checkbox"/>
---	---	--	--	---

General Description: 2 Story Stucco Residence Furnished and Occupied with a Tile Roof on Concrete Slab Foundation	<table border="1" style="width: 100%; border-collapse: collapse;"> <tr> <td style="width: 60%;">Inspection Tag Posted:</td> <td>Attic</td> </tr> <tr> <td>Other Tag Posted:</td> <td>Fume tag 10/2023.</td> </tr> <tr> <td>Garage:</td> <td>Attached Garage</td> </tr> </table>	Inspection Tag Posted:	Attic	Other Tag Posted:	Fume tag 10/2023.	Garage:	Attached Garage
Inspection Tag Posted:	Attic						
Other Tag Posted:	Fume tag 10/2023.						
Garage:	Attached Garage						

Subterranean Termites <input type="checkbox"/>	Drywood Termites <input checked="" type="checkbox"/>	Fungus / Dryrot <input checked="" type="checkbox"/>	Other Findings <input checked="" type="checkbox"/>	Further Inspection <input type="checkbox"/>
--	--	---	--	---

If any of the above boxes are checked, it indicates that there were visible problems in accessible areas. Read the report for details on checked items.

An inspection has been made of the structure(s) shown on the diagram in accordance with the Structural Pest Control Act. Detached porches, detached steps, detached decks and any other structures not on the diagram were not inspected.



Findings :

- 2A: Evidence of drywood termites
- 2B: Evidence of termite damage and/or dry rot
- 2C: Evidence of termite damage and/or dry rot
- 3A: Water damage
- 4A: Water damage

See Findings description on the following pages.

Contact Us: Toll Free: 877-TERMITE / 877-837-6483 Website www.877termite.com

Inspected By: Andre Carruana **State License No. :** OPR14174 **Signature**

Inspector Cell Number: (323) 495-5888 **Inspector Email Address :** andre@877termite.com

You are entitled to obtain copies of all reports and completion notices on this property reported to the Structural Pest Control Board during the preceding two years. To obtain copies contact: Structural Pest Control Board, 2005 Evergreen St., Suite 1500, Sacramento, California, 95815.

NOTE: Questions or problems concerning the above report should be directed to the manager of the company. Unresolved questions or problems with services performed may be directed to the Structural Pest Control Board at (916) 561-8708, (800) 737-8188 or www.pestboard.ca.gov

WOOD DESTROYING PESTS AND ORGANISMS INSPECTION REPORT

ADDRESS OF INSPECTED PROPERTY:	REPORT #:	DATE OF INSPECTION:	NUMBER OF PAGES:
30243 Calle De Suenos, Rancho Palos Verdes, CA 90275	190434	04/29/2026	Page 2 of 7

THE TERMITE GUY SPECIALIZES IN REALTOR SERVICES AND PROVIDES QUALITY SERVICES FOR POINT OF SALE NEEDS.

LICENSES: The Termite Guy maintains a General Contractor B-1 and a Roofing and Waterproofing C39 license (#771813) with the California State License Board. The Termite Guy has completed numerous room additions/remodels and hundreds of roofing and waterproofing jobs throughout Southern California. In addition to these services Alex Del Toro Owner/Operator of The Termite Guy is Certified as a (CMRS) Certified Microbial Remediation Supervisor through the American Indoor Air Quality Council. If needed The Termite Guy can provide bids on General Construction, Roofing/Waterproofing and/or Mold Remediation.

SECTION 1 & 2- This is a separated report which is defined as Section I/ Section II conditions evident on the date of the inspection. Section I contains items where there is visible evidence of active infestation, infection or conditions that have resulted in or from infestation or infection. Section II items are conditions deemed likely to lead to infestation or infection but where no visible evidence of such was found. Further inspection items are defined as recommendations to inspect area(s) which during the original inspection did not allow the inspector access to complete the inspection and cannot be defined as Section I or Section II.

MOLD- This Report does not include mold or any mold like conditions. No reference will be made to mold like conditions. Mold is not a wood destroying organism and is outside the scope of this report as defined by the structural pest control act. If you desire information about the presence or absence of mold, you should contact a mold specialist.

SECTION I

FINDING 2A: Evidence of drywood termites noted in ATTIC,EAVES, TRAP DOOR, as indicated on the diagram

RECOMMENDATION FOR 2A (PRICING FOR 2A: \$1,750)

Locally treat the areas of termite infestations in the structure with Termidor SC (active ingredient; fipronil). Your family well-being comes first when deciding what is best for your home, and you get that with Termidor. Termidor is applied at very low rates. Typically, the active ingredient (fipronil) is just 0.08% of the solution. Termidor has virtually no odor. If you require any further information you can visit www.termidorhome.com. This treatment may require holes to be drilled into infested framing members. All holes in visible areas will be filled. Local treatment is not intended to be an entire structure treatment method. Local treatments are considered substandard to the industry. If infestations of wood-destroying pests extend or exist beyond the area(s) of local treatment, they may not be exterminated. One (1) year warranty is limited to the area of treatment.

FINDING 2B: Evidence of termite damage and/or dry rot noted in LEFT RAFTER TAILS (2), LEFT FASCIA (3), RIGHT RAFTER TAILS (4), BACK RAFTER TAIL (1), FRONT RAFTER TAILS (4), BALCONY RAFTER TAIL (1), as indicated on the diagram

RECOMMENDATION FOR 2B (PRICING FOR 2B: \$1,695)

Replace dry rot and/or termite damaged wood member(s) in the above finding. Should damage be found to extend further than first anticipated, a supplemental report will be issued with findings and cost for completing repairs. **The Termite Guy will prime and paint if owner to provide paint on the day of the work being completed.**

FINDING 2C: Evidence of termite damage and/or dry rot noted in BALCONY POST (2), GARAGE HEADER, as indicated on the diagram

RECOMMENDATION FOR 2C (PRICING FOR 2C: \$350)

Repair dry rot and/or termite damaged wood member(s) in the above finding. Should damage be found to extend further than first anticipated, a supplemental report will be issued with findings and cost for completing repairs. **The Termite Guy will prime and paint if owner to provide paint on the day of the work being completed.**

SECTION II

FINDING 3A: Water damage noted in KITCHEN PAD, as indicated on the diagram

RECOMMENDATION FOR 3A (PRICING FOR 3A: \$250)

Replace the dryrot damaged structural wood members identified in the above finding. Should damage be found to extend further than first anticipated, a supplemental report will be issued with findings and cost for completing repairs. **The Termite Guy will prime and paint if owner to provide paint on the day of the work being completed.**

WOOD DESTROYING PESTS AND ORGANISMS INSPECTION REPORT

ADDRESS OF INSPECTED PROPERTY:	REPORT #:	DATE OF INSPECTION:	NUMBER OF PAGES:
30243 Calle De Suenos, Rancho Palos Verdes, CA 90275	190434	04/29/2026	Page 3 of 7

FINDING 4A: Water damage noted in 2ND STORY WINDOW SILL, GARAGE WALL, as indicated on the diagram

RECOMMENDATION FOR 4A

Owner/agent should engage the services of a licensed contractor in that field to inspect area described in above finding and/or to correct.

****NO BID****

Notes

Notes :

WOOD DESTROYING PESTS AND ORGANISMS INSPECTION REPORT

ADDRESS OF INSPECTED PROPERTY:	REPORT #:	DATE OF INSPECTION:	NUMBER OF PAGES:
30243 Calle De Suenos, Rancho Palos Verdes, CA 90275	190434	04/29/2026	Page 4 of 7

Disclaimer, Notices and Limitations

Wood Destroying Pests and Organisms Inspection Report

PLEASE READ THIS DOCUMENT. IT EXPLAINS THE SCOPE AND LIMITATIONS OF A STRUCTURAL PEST CONTROL INSPECTION AND A WOOD DESTROYING ORGANISM REPORT.

The exterior surface of the roof was not inspected. If you want the water tightness of the roof determined, you should contact a roofing contractor who is licensed by the Contractors' State License Board.

1. Certain areas recognized by the industry are considered inaccessible and may not be inspected. These include but are not limited to: attics with less than 12" clear crawl space; the interior of hollow walls; spaces between a floor or porch deck and the ceiling below; area where there is no access without defacing or tearing out lumber, masonry or finished work, areas behind stoves, refrigerators or beneath floor coverings or furnishings; areas where encumbrances and storage, conditions or locks make inspection impractical; portions of the sub area concealed or made inaccessible by ducting or insulation; area beneath wood floors, over construction, and areas concealed by heavy vegetation. Eaves were visually inspected from ground level only, 2nd story eaves are not probed and are visually inspected. Although we make visual examinations, we do not deface or probe window frames, door frames, or decorative trims unless otherwise specified in this report. We do not inspect fences, detached patios, or wood walkways. We assume NO responsibility for work undetected due to inaccessibility or non-disclosure by owner/agent and or tenant.
2. Slab foundation construction has become more prevalent in recent years. Floor coverings may conceal cracks in the slab that will allow for infestations to enter. Infestations in walls may be concealed by plaster so that the most diligent inspector may not disclose the true condition. These areas are not practical to inspect because of health hazards, damage to the structure or inconvenience. These were not inspected unless specified in this report. We recommend further inspection. If there is any question about the above noted areas, Ref. Structural Pest Control Act, Article 6 Section 8516(b) paragraph 1190 (i). Amended effective March 1, 1974. Inspection is limited to disclosure of wood destroying pests and organisms as set forth in the Structural Pest Control Act, Article 8516(b), Paragraph, 1990-1991.
3. If the structure inspection is a condominium type unit sharing common walls and/or foundations with adjacent units, the adjacent condominium type units were not inspected and no opinion is rendered, nor guarantee implied, concerning the presence or absence of infestations or infections in these common areas, or spreading from these common areas into the inspected unit.
4. The Termite Guy will reinspect repairs done by others within four months of the original inspection. A charge, if any, can be no greater than the original inspection fee for each reinspection. The reinspection must be done within ten (10) working days of request. The reinspection is a visual inspection and if inspection of concealed areas is desired, inspection of work in progress will be necessary. Any guarantees must be received from parties performing repairs.
NOTICE: The charge for service that The Termite Guy subcontracts to another registered company may include the company's charges for arranging and administrating such services that are in addition to the direct costs associated with paying the subcontractor. You may accept The Termite Guy's bid or you may contract directly with another registered company licensed to perform the work. If you choose to contract directly with another registered company, The Termite Guy will not in any way be responsible for any act or omission in the performance of work that you directly contract with another to perform.
5. This company is not responsible for work completed by others, recommended or not, including work completed by the owner. Contractor bills should be submitted to Escrow as certification of work completed by others.
6. This report includes findings relating to the presence of wood destroying organisms. The inspector does not go onto the roof surface due to possible physical damage to the roof, or personal injury.
7. Most termite companies do not prime or paint their repairs; however, we will paint our repairs if the paint is on-site at the time of service. Items that are repaired or replaced will be as close to the original as possible but are not guaranteed to match. In some cases, painting may not be offered, and we will specify this in our recommendation.

WOOD DESTROYING PESTS AND ORGANISMS INSPECTION REPORT

ADDRESS OF INSPECTED PROPERTY:	REPORT #:	DATE OF INSPECTION:	NUMBER OF PAGES:
30243 Calle De Suenos, Rancho Palos Verdes, CA 90275	190434	04/29/2026	Page 5 of 7

- 8.** Lumber is a natural product and it is not perfect. The lumber that is available for purchase at local lumber distribution centers often contains imperfections. Things as warping, cracking, checking and knot holes are abundant and cannot be avoided. If a desired perfect appearance lumber is your preference please inform your home inspector and we will look at non-natural synthetic products that may serve the purpose.
- 9.** Second story stall showers are inspected but not water tested unless there is evidence of leaks in ceiling below. Ref: Structural Pest Control Rules and Regulations Sec. 8216G. Sunken or below grade showers or bathtubs are not water tested due to their construction.
- 10.** During the course of treatment should any further damage or infestation be found a supplemental report will be forwarded to the homeowner with cost for completion. Any work in these areas would be at the homeowner's direction and additional expense. During the course of treatment or replacement it may be necessary to drill holes through ceramic tiles or other floor coverings. These holes will be sealed with concrete. We will exercise due care but assume no responsibility for cracks, chipping or any other damage to floor or flooring coverings.
- 11.** When a fumigation is recommended, we will exercise all due care but assume no responsibility for damage to shrubbery, trees, plants, TV antennas, or satellite dishes. A FUMIGATION NOTICE will be provided to the owner of the property or his designated agent. Occupant MUST comply with the instructions contained in the FUMIGATION NOTICE. During the fumigation and aeration the possibility of burglary exists as it does anytime you leave your home. Therefore we recommend that you take any steps you feel necessary to prevent any damage to your property. The Termite Guy does not provide any outside security except as required by state or local ordinance and does not assume any responsibility for care and custody of the property in case of burglary, vandalism or loss of use.
- 12.** This termite report and clearance, if applicable, will cover any existing infestation or infection, which is outlined in this report.
- 13.** Should you have any question or concerns regarding this report, please call or come by our office any weekday between the hours of 7:00 am – 5:00 pm Monday through Thursday and 7:00 AM and 4:00 PM on Friday.
- 14.** The homeowner agrees to pay and is responsible for any attorney fees if suit is required by The Termite Guy to enforce any terms of this contract, together with any other cost of such action whether or not suit proceeds to judgment.
- 15.** The total amount of this contract is due and payable upon completion of the work unless otherwise specified. A finance charge if 1.5% of the unpaid balance (APR 18%) will be added on all unpaid and past due balances.
- 16.** If this report is used for escrow purposes then it is agreed that this inspection report and clearance, if any, is part of the ESCROW TRANSACTION; however, if you receive written or verbal instructions from any interested parties involved in this escrow (agents, principals etc.) to not pay our invoice on close of escrow, you are instructed by The Termite Guy not to use these documents to satisfy any conditions or terms of the escrow for purposes of closing escrow.
- 17.** Owner/Agent/Tenant acknowledges and agrees that the inspection of the premises will not include any type of inspection for the presences of or non-presence of asbestos in, upon or about the premises. We recommend you contact a California State Licensed contractor that specializes in asbestos and asbestos related work. The Termite Guy assumes no responsibility for any related asbestos findings or claims.
- 18.** Owner/Agent/Tenant acknowledges and agrees that inspection of this property will not include any type of inspection or findings to the presence or non-presence of health related molds and fungi.
- 19.** Upon completion of this inspection by The Termite Guy and the findings are for drywood termites, it is always our primary recommendation for a total fumigation of the entire structure, however, if a local treatment is performed it is considered a secondary treatment. Local treatment is not intended to be an entire structure treatment method. If infestations of wood-destroying pests extend or exist beyond the area(s) of local treatment, they may not be exterminated
- 20.** This report is a statement of finding on the day of inspection. If termites are discovered after the date of inspection they will not be covered under any type of warranty or guarantee. If termites are discovered after the date of this inspection it is advisable to set up an inspection with our company and an inspector will conduct a new inspection and will provide cost for correction. Once a treatment is performed then the warranty is activated according to the treatment provided.
- 21. NOTICE: Reports on this structure prepared by various registered companies should list the same findings (i.e. termite infestations, termite damage, fungus damage, etc.); however, recommendations to correct these findings may vary from company to company. You have the right to seek a second opinion from another company.**

WOOD DESTROYING PESTS AND ORGANISMS INSPECTION REPORT

ADDRESS OF INSPECTED PROPERTY:	REPORT #:	DATE OF INSPECTION:	NUMBER OF PAGES:
30243 Calle De Suenos, Rancho Palos Verdes, CA 90275	190434	04/29/2026	Page 6 of 7

State law requires that you be given the following information: CAUTION - PESTICIDES ARE TOXIC CHEMICALS. Structural Pest Control Companies are registered and regulated by the Structural Pest Control Board and apply pesticides which are registered and approved for use by the California Department of Pesticide Regulation and the United States Environmental Protection Agency. Registration is granted when the State finds that, based on existing scientific evidence, there are no appreciable risks if proper use conditions are followed or that the risks are outweighed by the benefits. The degree of risk depends upon the degree of exposure, so exposure should be minimized."

If within 24 hours following application you experience symptoms of dizziness, headache, nausea, reduced awareness, slowed movement, garbled speech, or difficulty in breathing, leave the structure immediately and seek medical attention by contacting your physician or Poison Control Center **(800) 222-1222 and notify The Termite Guy**. The warning agent chloropicrin can cause symptoms of tearing, respiratory distress, and vomiting. Entry into the space during fumigation can be fatal.

For further information, contact any of the following: **The Termite Guy (877) 837-6483**; for Health Questions the County Health Department (see below); for Application Information the County Agricultural Commissioner (see below) and for Regulatory Information the Structural Pest Control Board 916-561-8700, 2005 Evergreen Street, Suite 1500, Sacramento, CA 95815.

FOR HEALTH QUESTIONS:

County Health Department Phone Number	County Agricultural Commissioner Phone Number	Poison Control Center Phone Number	Structural Pest Control Board Phone Number
Orange County: (714) 456-0630 Riverside County: (951) 358-5000 San Bernardino County: (909) 383-4777 San Diego County: (619) 688-6190 Los Angeles County: (833) 540-0473 Ventura County: (805) 981-5101	Orange County: (714) 955-0100 Riverside County: (951) 955-3000 San Bernardino County: (909) 387-2105 San Diego County: (858) 694-8980 Los Angeles County: (626) 575-5454 Ventura County: (805) 933-2926	(800) 222-1222	(800) 737 - 8188

WOOD DESTROYING PESTS AND ORGANISMS INSPECTION REPORT

ADDRESS OF INSPECTED PROPERTY:	REPORT #:	DATE OF INSPECTION:	NUMBER OF PAGES:
30243 Calle De Suenos, Rancho Palos Verdes, CA 90275	190434	04/29/2026	Page 7 of 7

NO WORK WILL BE STARTED UNTIL A SIGNED COPY OF THIS AGREEMENT IS RECEIVED.

The inspection report of The Termite Guy dated: 04/29/2026 bearing Company record number 190434; is incorporated herein by reference as though fully set forth. The Termite Guy is authorized to and shall complete work set forth in the following items:

Section I Items:	Section II Items:	Other Items:
2A \$1,750	3A \$250	
2B \$1,695	Cost: \$250	Cost: \$0
2C \$350		
Cost: \$3,795		
Inspection Fee: \$0		
TOTAL COST	\$4,045	

TO SCHEDULE THIS WORK, PLEASE CALL TOLL FREE 877-TERMITE / (877) 837-6483. FAX: (714) 835-0140

OUR ESTIMATE IS GOOD FOR 30 DAYS FROM THE BID DATE AND IS SUBJECT TO REVIEW AT THAT TIME.

Before signing this report read it thoroughly. If there are any questions, please contact us.

NOTICE TO OWNER

Under the California Mechanics Lien Law any structural pest control operator who contracts to do work for you, any contractor, subcontractor, laborer, supplier or other person who helps to improve your property, but is not paid for his work or supplies, has a right to enforce a claim against your property. This means that after a court hearing, your property could be sold by a court officer and the proceeds of the sale used to satisfy the indebtedness. This can happen even if you have paid your contractor in full if the subcontractor, laborers or suppliers remain unpaid. To preserve their right to file a claim or lien against your property, certain claimants such as subcontractors or material suppliers are required to provide you with a document entitled Preliminary Notice. General contractors and laborers for wages do not have to provide this notice. A Preliminary Notice is not a lien against your property. Its purpose is to notify you of persons who may have a right to file a lien against your property if they are not paid.

AUTHORIZATION TO PROCEED

We hereby acknowledge that we have read and understand all of this agreement. We agree to it, and authorize The Termite Guy to proceed with the work. If the agreement indicates that a title or escrow company is to be billed for the work, we hereby instruct that title or escrow company to hold funds sufficient to pay the bill, and to pay the bill upon receipt of Notice of Completion or close of escrow. We understand, however, that we are responsible for payment. All terms hereunder are swearable. We are aware that chemicals used to effect the intent of this structure may be harmful, We hold The Termite Guy harmless from any unusual damage and all damages that may result therefrom. This is the agreement. Absent inclusion there are no representation.

Please check appropriate box

- Complete Section I Items only
 Complete Section I and Section II Items

FINANCIALLY RESPONSIBLE PARTY

Full Name: _____

Financially Responsible Party Signature: _____

Date _____

The Termite Guy

X _____

By: _____