

T36FT810NS

36-INCH STAINLESS STEEL FREESTANDING FRENCH DOOR BOTTOM FREEZER

MASTERPIECE® SERIES HANDLES



Also Available In:
T36FT820NS – Professional Series Handles

FEATURES & BENEFITS

- Best in class lighting: see everything with a fully illuminated back panel and adjustable theater lighting
- Dual evaporators / dual compressors
- Internal ice and water provides easy access with a clean exterior
- ThermaFresh system, humidity and temperature controlled drawers
- Stainless steel ThermaFresh mats included with drawers for easy cleaning

TEMPERATURE RANGES

Refrigerator	36°F (2°C) to 46°F (8°C)
SuperCool	36°F (2°C) for Approximately 6 Hours
Energy Saving (Economy) Mode	Refrigerator: 45°F (7°C) Freezer: 3°F (-16°C)
Freezer	-11°F (-24°C) to 7°F (-14°C)
SuperFreeze®	-22°F (-30°C) for Approximately 52 Hours

GENERAL PROPERTIES

Home Connect™ (Wi-Fi Enabled)	Yes
Full 72" Height and True Counter-Depth for Built-In Appearance	Yes
Carbon Air Filter	Yes
Ethylene Filter	Yes
Lighting	LED Recessed Side Light Bars & Fully Illuminated Back Panel
Dual Compressors / Evaporators	Yes
Refrigerator Shelves	5
Adjustable Shelves – Refrigerator	4
Shelf Material	Glass w/Metal Profile
ThermaFresh Temperature & Humidity Managed Drawers	2
ThermaFresh Mats	2
Standard Door Bins – Refrigerator	4
Gallon Door Bins – Refrigerator	2
Defrost Process – Freezer	Automatic
Freezer Drawers	3
Internal Water Dispenser	Yes
Water Filter	Yes
Ice Maker with Diamond Ice System	Yes
Door Open Alarms	Yes
SuperCool	Yes
SuperFreeze®	Yes
Special Modes	Sabbath, Economy, Vacation

CAPACITY

Total Capacity (cu. ft.)	20.8 cu. ft.
Refrigerator / Freezer Capacity (cu. ft.)	14.8 / 6.0 cu. ft.

TECHNICAL DETAILS

Current (A) / Volts (V) / Frequency (Hz)	15 A / 115 V / 60 Hz
Power Cord Length (in.)	91
Plug Type	120V-3 Prong

DIMENSIONS & WEIGHT

Appliance Dimensions (H x W x D) (in.)	72" x 35 5/8" x 31 7/16"
Appliance Dimensions without Hinges and Doors (H x W x D) (in.)	71 1/2" x 35 5/8" x 24"***
Appliance Dimensions with Hinges and Doors, No Handles (H x W x D) (in.)	72" x 35 5/8" x 28 3/4"
Required Cutout Size (H x W x D) (in.)	72" x 36" x 25"
Net / Gross Weight (lbs.)	332 / 368 lbs.

EFFICIENCY

ENERGY STAR® Certified	Yes
Annual Energy Consumption	570 kWh / yr

*When leveling legs are fully extended, add 5/8" to overall height, total 72 5/8".
**The cutout depth of 25" includes the required 1" airflow. The electrical covers on the back of unit do not require additional depth.

T36FT810NS

36-INCH STAINLESS STEEL FREESTANDING FRENCH DOOR BOTTOM FREEZER

MASTERPIECE® SERIES HANDLES



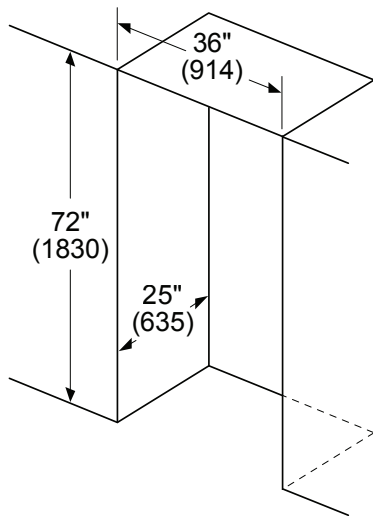
WARRANTY

Limited, Entire Appliance, Parts and Labor on Any Part of the Refrigerator that Fails Because of a Manufacturing Defect	2 Year
Limited Warranty for Sealed Refrigeration System*; Parts and Labor	3rd to 6th Year
Limited Warranty for Sealed Refrigeration System*; Parts Only	7th to 12th Year
Limited Warranty for Stainless Steel Rust-Through	Lifetime

*Sealed refrigeration system includes compressor, evaporator, condenser, dryer / strainer and connection tubing

CUTOUT DIMENSIONS

measurements in inches (mm)

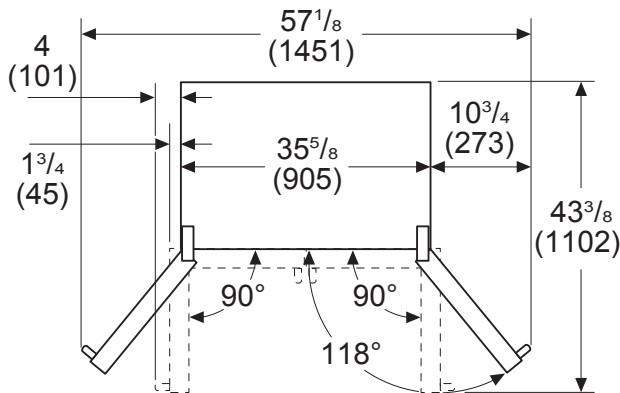


Leave 1/2" (12.7) gap at the top and 1" (25.4) behind the refrigerator for proper ventilation.

It is recommended that you do not install the refrigerator near a heat source such as a stove or a range.

TOP VIEW CLEARANCE

Measurements in inches (mm)



Drawers can be pulled out with door open to 90°
 Drawers can be taken out with door completely opened

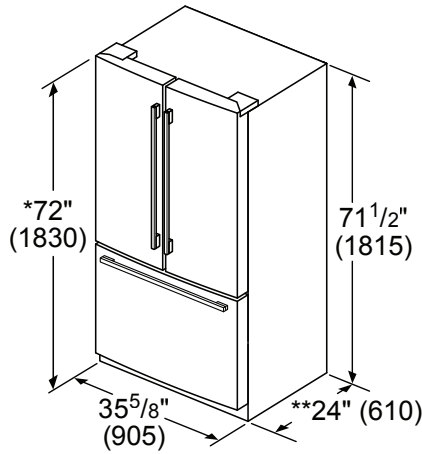
T36FT810NS

36-INCH STAINLESS STEEL FREESTANDING FRENCH DOOR BOTTOM FREEZER

MASTERPIECE® SERIES HANDLES

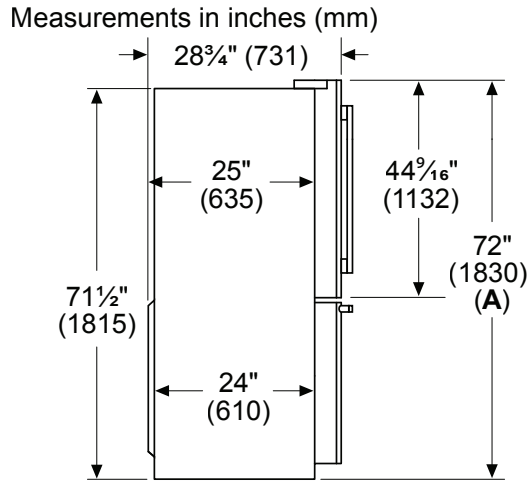


PRODUCT DIMENSIONS



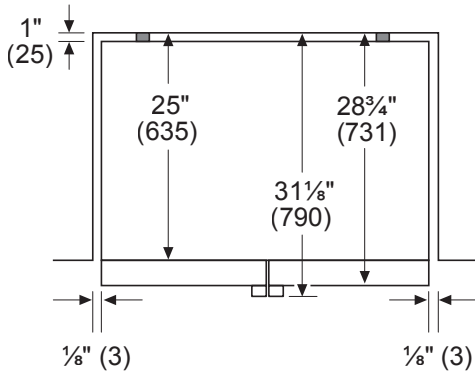
* Add $\frac{5}{8}$ " (17) with front leveling feet fully extended
 ** Add 1" (25) for fixed spacers on back

measurements in inches (mm)



A: Add $\frac{5}{8}$ " (17) with front leveling feet fully extended

measurements in inches (mm)



ACCESSORIES (OPTIONAL)

REPLFLTR55

Replacement Water Filter

17005228

Ethylene Filter Starter Kit

17005225

Ethylene Filter Refill

10012733

90 Degree Door Stopper

These warranties give you specific legal rights and you may have other rights that vary from state to state. Limited warranty from date of purchase. For complete warranty details, refer to your Use & Care manual, or ask your dealer.

Specifications are for planning purposes only. Refer to installation instructions and consult your countertop supplier prior to making counter opening. Consult with a heating and ventilation engineer for your specific ventilation requirements. For the most detailed information, refer to installation instructions accompanying product or write to Thermador indicating the model number. Specifications are correct at time of printing. Thermador reserves the right to change product specifications or design without notice. Some models are certified for use in Canada. Thermador is not responsible for products that are transported from the U.S. for use in Canada.

MD24WS

24-INCH MICRODRAWER® MICROWAVE

MASTERPIECE® & PROFESSIONAL SERIES



FEATURES & BENEFITS

- Spacious 1.2 cu. ft. interior fits a 20 oz. cup or a 13" x 9" pan
- Achieve a perfectly flush installation in any standard depth cabinetry
- Our MicroDrawer® includes a special sensor mode that controls humidity and automatically adjusts cooking level and time
- 10 cooking modes that include melt, warm and soften
- Touch "open" and "close" eliminates the need for a handle

GENERAL PROPERTIES

Cavity Color	White
Microwave Power (W)	950 W

CAPACITY

Cavity Capacity (cu. ft.)	1.2 cu. ft.
Turntable Diameter (in.)	N/A

TECHNICAL DETAILS

Watts (W)	1,500 W
Circuit Breaker (A)	15 A
Volts (V)	120 V
Frequency (Hz)	60 Hz
Plug Type	120V-3 Prong
Power Cord Length (in.)	48"

DIMENSIONS & WEIGHT

Overall Appliance Dimensions (HxWxD) (in.)	16 5/16" x 23 7/8" x 23 3/8"
Required Cutout Size (HxWxD) (in) – Standard Install	14 13/16" x 22 1/8" x 23 1/2"
Required Cutout Size (HxWxD) (in) – Flush Install	16 5/8" x 24 3/16" x 23 1/2"
Net Weight (lbs)	81 lbs.

ACCESSORIES (INCLUDED)

N/A

WARRANTY

Limited Warranty, Entire Appliance, Parts and Labor	2 Year
---	--------

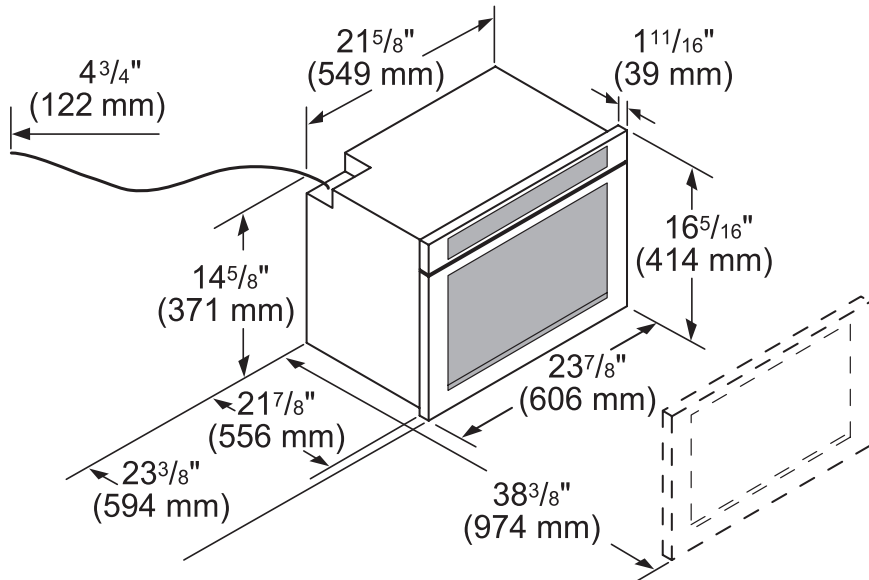
MD24WS

24-INCH MICRODRAWER® MICROWAVE

MASTERPIECE® & PROFESSIONAL SERIES



PRODUCT DIMENSIONS



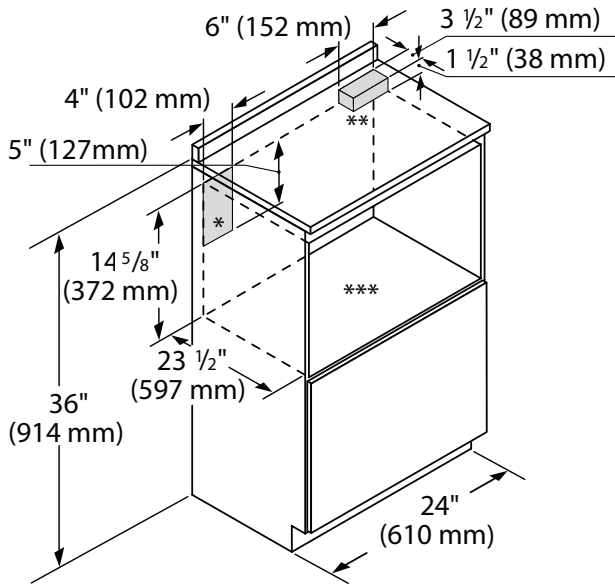
MD24WS

24-INCH MICRODRAWER® MICROWAVE

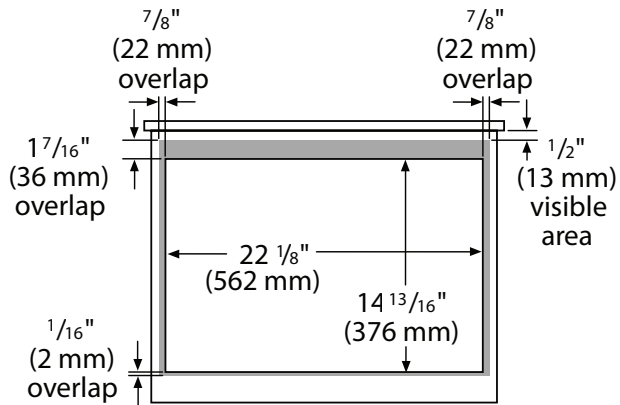
MASTERPIECE® & PROFESSIONAL SERIES



STANDARD INSTALLATION

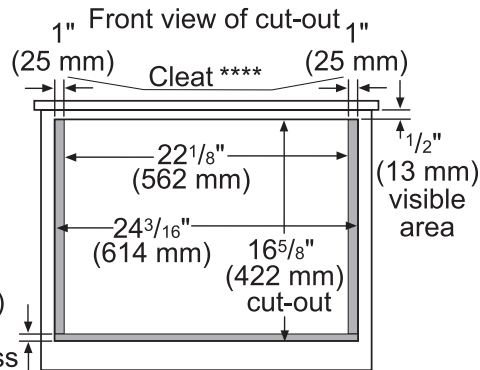
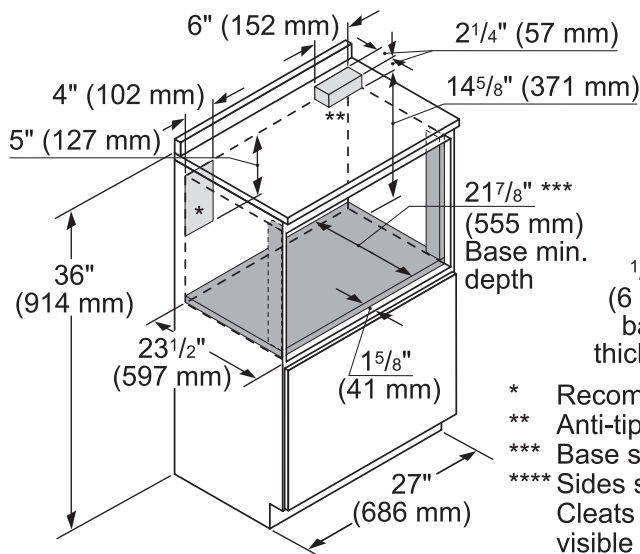


Frontview cut out



- * Suggested location of electrical outlet
- ** Anti-Tip Block
- *** Base should support up to 100 lbs

FLUSH INSTALLATION



- * Recommended location of electrical outlet
- ** Anti-tip block
- *** Base should support up to 100 lbs
- **** Sides should be finished and extend back to cleat. Cleats should also be finished, as they may be visible after installation.

These warranties give you specific legal rights and you may have other rights that vary from state to state. Full warranty and limited warranty from date of installation. For complete warranty details, refer to your Use & Care manual, or ask your dealer.

Specifications are for planning purposes only. Refer to installation instructions and consult your countertop supplier prior to making counter opening. Consult with a heating and ventilation engineer for your specific ventilation requirements. For the most detailed information, refer to installation instructions accompanying product or write to Thermador indicating the model number. Specifications are correct at time of printing. Thermador reserves the right to change product specifications or design without notice. Some models are certified for use in Canada. Thermador is not responsible for products that are transported from the U.S. for use in Canada.

HMCB36WS

36-INCH CHIMNEY WALL HOOD WITH BLOWER

MASTERPIECE® SERIES



FEATURES & BENEFITS

- Masterpiece® Chimney Wall hoods are sleek, slim, and distinctive in design that add a sophisticated touch to contemporary kitchens
- ★ - Noise Control Technology™ reduces noise while hood is in use
- ★ - Equipped with the Thermador Connected Experience by Home Connect™
 - Cooktop Hood Sync enables control through Freedom® Induction Cooktop
 - Beautiful illumination with multi-level, vivid LED lights

ACCESSORIES (OPTIONAL)

Stainless Steel Chimney Hood Extension

CHXTHMCB - For up to 12-foot ceiling applications. Extension replaces upper section of standard chimney extension.

Recirculation Kit

RECHMCB - For HMCBxxWS Masterpiece® Chimney Wall Hoods only

Replacement Charcoal Filter

CHFHMCD - For use with recirculation kit RECHMCB

Remote Control Panel

REMCPU - Ability to vertically install on cabinetry or wall to control hood in a convenient location



GENERAL PROPERTIES

Features

Cooktop Hood-Sync Enabled, Noise Control Technology™, Multi-Level LED Lights with Fading Transitions, Automatic Mode, Check Filter Reminder Light, Delay Shut-Off

Operating Mode	Convertible: Ducted / Recirculating
Maximum CFM (Blower)	600 CFM
CFM (HVI)	490 HS / 170 WS
Sones (HVI)	10.5 HS / 2 WS
Number of Speed Settings	4-Stage
Motor Location	Integrated Motor In Hood Body
Number of Lights	2
Bulb Type	LED
Light Lumens	100 – 150
Light Color	3500 – 4000 °K
Total Power of the Lamps	2.4 W
Damper Included	Yes
Grease Filter Material	Washable Stainless Steel
Grease Filter Type	Hybrid Mesh
Home Connect™ (Wi-Fi Enabled)	Yes

TECHNICAL DETAILS

Watts	447 W
Current	15 A
Volts	120 V
Frequency	60 Hz
Plug Type	Fixed Connection

DIMENSIONS & WEIGHT

Overall Appliance Dimensions (Width of Canopy Included) (HxWxD)	5" x 35 15/16" x 23 3/16"
Height of the Chimney	25" – 27"
Accommodates Ceiling Heights	Up to 9' Ceiling Heights
Minimum Distance Above Gas / Electric Cooking Surface	30" / 30"
Diameter of Air Duct Top	8"
Net Weight	69 lbs

WARRANTY

Limited Warranty Parts and Labor	2 Year
----------------------------------	--------

HS=High Speed; WS=Working Speed

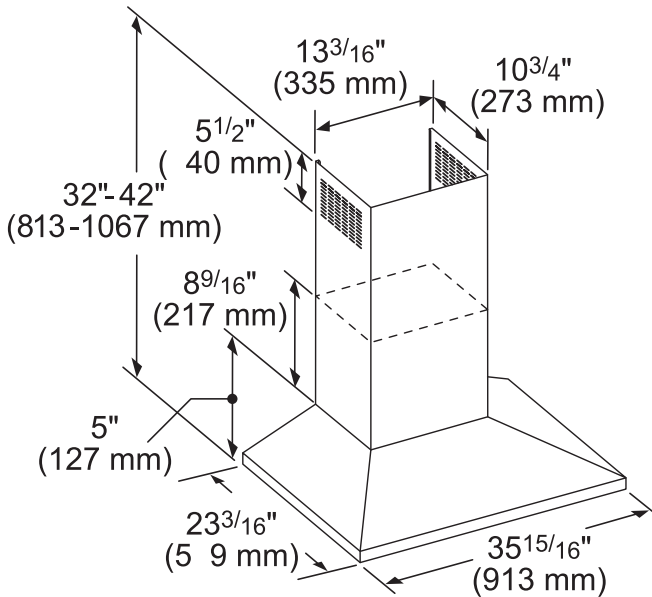
HMCB36WS

36-INCH CHIMNEY WALL HOOD WITH BLOWER

MASTERPIECE® SERIES



HOOD DIMENSIONS



measurements in inches (mm)

OPTIONAL ACCESSORIES

CHIMNEY EXTENSION KIT CHXTHMCB

Telescoping design for extension up to 12' ceiling heights

RECIRCULATION KIT RECHMCB

Ideal for applications where ducting out is not possible

REPLACEMENT CHARCOAL FILTERS CHFHMCD

For Use With Recirculation Kit RECHMCB

REMOTE CONTROL PANEL REMCPW



Convenience at your fingertips: The remote control accessory offers the freedom to extend your hood controls to a more reachable spot

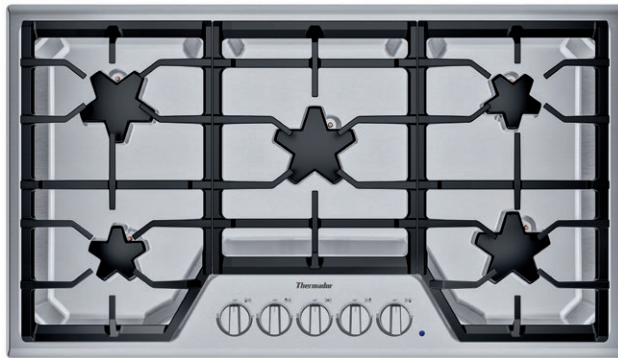
These warranties give you specific legal rights and you may have other rights that vary from state to state. Limited warranty from date of purchase. For complete warranty details, refer to your Use & Care manual, or ask your dealer.

Specifications are for planning purposes only. Refer to installation instructions and consult your countertop supplier prior to making counter opening. Consult with a heating and ventilation engineer for your specific ventilation requirements. For the most detailed information, refer to installation instructions accompanying product or write to Thermador indicating the model number. Specifications are correct at time of printing. Thermador reserves the right to change product specifications or design without notice. Some models are certified for use in Canada. Thermador is not responsible for products that are transported from the U.S. for use in Canada.

SGS365TS

36-INCH GAS COOKTOP

MASTERPIECE® STAR® BURNER SERIES



FEATURES & BENEFITS

- ★ - Patented Star® Burner's unique five-point design offers more ports and more flame distribution than a round burner
- Powerful 16,000 BTU center burner for rapid boiling and high heat searing
- Continuous grates allow pots and pans to move effortlessly across the cooktop
- Electronic re-ignition will automatically re-ignite the burner in case the flame goes out
- Sealed burners prevent spills from entering the burner box

ACCESSORIES (OPTIONAL)



SWOKRINGW
Wok Ring



SGRIDDLEW
Griddle



SLPKITW
LP Conversion Kit

GENERAL PROPERTIES

Controls	Metal Knobs
Sealed Burners	Yes
Grate Material	Cast Iron

BURNER PERFORMANCE

Total BTU Load (NG / LP)	58,200 / 45,200 BTU
Power of Front Left Burner (NG / LP)	9,100 / 6,000 BTU
Power of Back Left Burner (NG / LP)	12,000 / 9,100 BTU
Power of Center Burner (NG / LP)	16,000 / 15,000 BTU
Power of Back Right Burner (NG / LP)	9,100 / 6,000 BTU
Power of Front Right Burner (NG / LP)	12,000 / 9,100 BTU

TECHNICAL DETAILS

Watts (W)	1,800 W
Circuit Breaker (A)	15 A
Volts (V)	120 V
Frequency (Hz)	60 Hz
Plug Type	3 Prong
Power Cord Length (in)	60"
Energy Source	Gas
Convertible To LP (Kit Required)	Yes

DIMENSIONS & WEIGHT

Overall Appliance Dimensions (HxWxD) (in)	5 3/8" x 37" x 21 1/4"
Required Cutout Size (HxWxD) (in)	3 13/16" x 34 15/16" x 19 1/8"
Minimum Distance From Counter Front (in)	1 1/2"
Minimum Distance From Rear Wall (in)	3"
Net Weight (lbs)	39 lbs

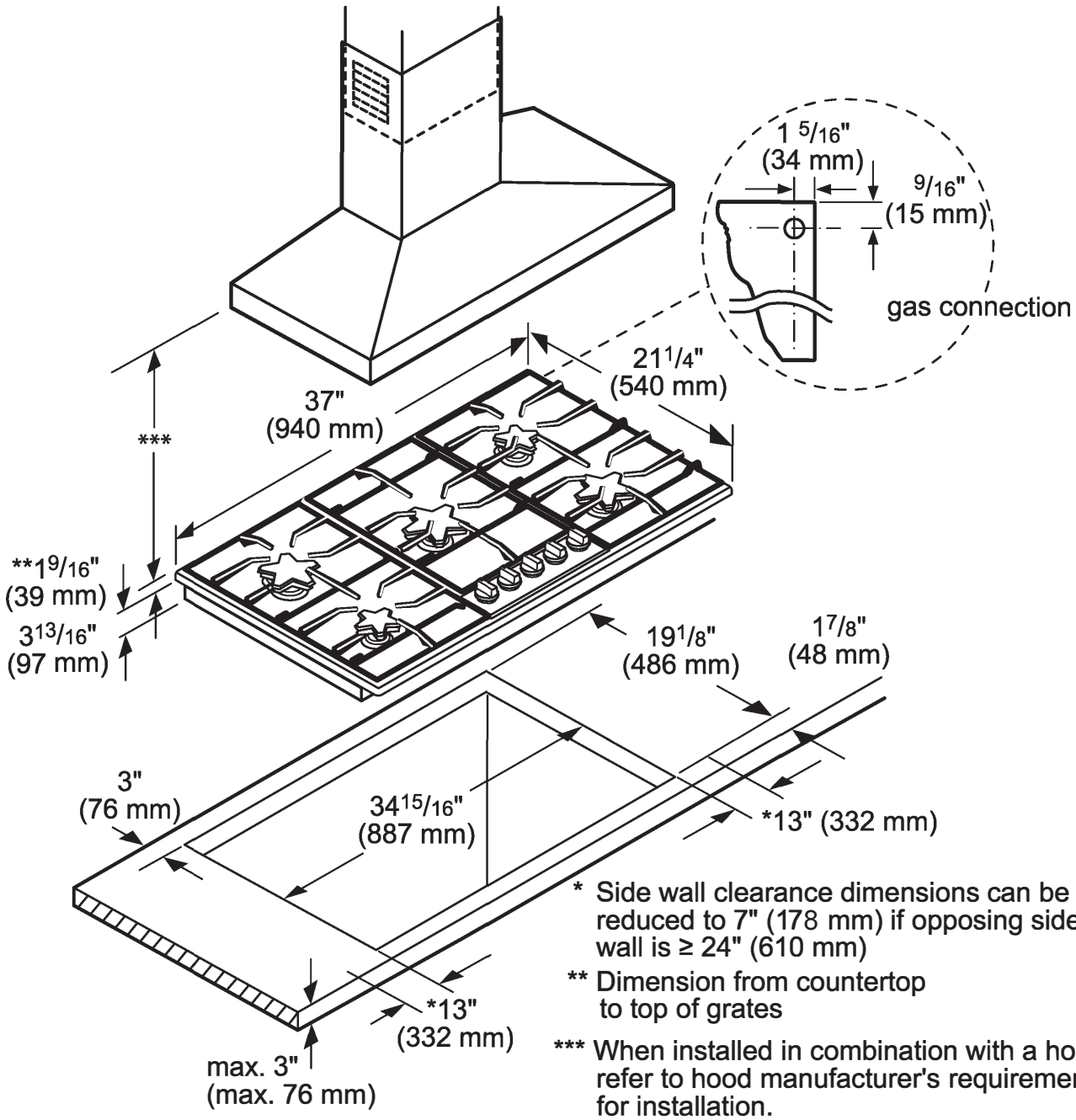
WARRANTY

Limited Warranty, Entire Appliance, Parts and Labor	2 Year
---	--------

SGS365TS
36-INCH GAS COOKTOP
 MASTERPIECE® STAR® BURNER SERIES



36-INCH COOKTOP AND CUTOUT DIMENSIONS



- * Side wall clearance dimensions can be reduced to 7" (178 mm) if opposing side wall is ≥ 24" (610 mm)
- ** Dimension from countertop to top of grates
- *** When installed in combination with a hood, refer to hood manufacturer's requirements for installation.

measurements in inches (mm)

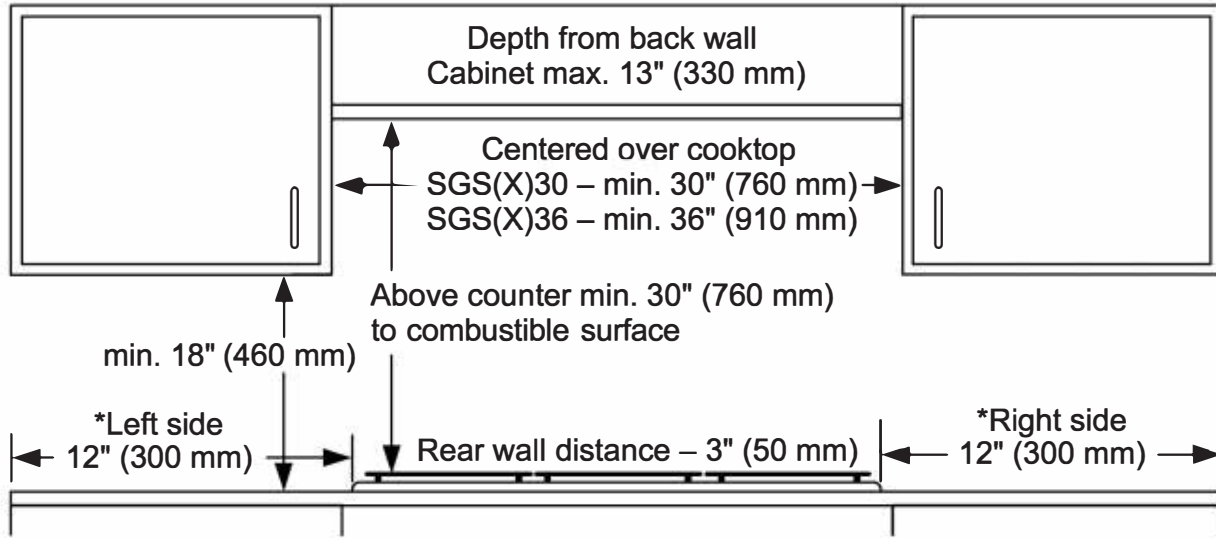
SGS365TS

36-INCH GAS COOKTOP

MASTERPIECE® STAR® BURNER SERIES



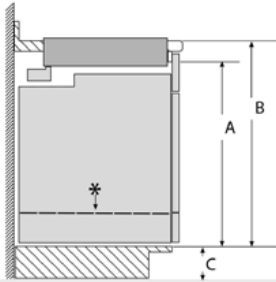
CABINET REQUIREMENTS



* Side wall clearance dimensions can be reduced to 6" (152 mm) if opposing side wall is \geq 23" (584.2 mm)

measurements in inches (mm)

INSTALLATION ABOVE A THERMADOR WALL OVEN



Product Type	A Inches (mm)	B min. Inches (mm)	C max. Inches (mm)
Conventional Oven	28 1/4 (718)	31 1/4 (794) min.	4 3/4 (121)
Steam Oven	25 1/16 (636)	28 1/16 (713)	7 15/16 (202)
Steam Oven with 4" Storage Drawer*	28 1/4 (718)	31 1/4 (794) min.	4 3/4 (121)
Microwave / Speed Oven	19 1/4 (488)	24 (609) min.	12" (306)
Microwave / Speed Oven with Warming drawer*	28 1/4 (718)	31 1/4 (794) min.	4 3/4 (121)

When installing an oven or oven with a drawer in combination with a cooktop, a minimum distance between the cabinet floor and countertop (B) is required. Reference the table for dimensions. Refer to the oven installation guide for all other measurements.

These warranties give you specific legal rights and you may have other rights that vary from state to state. Full warranty and limited warranty from date of installation. For complete warranty details, refer to your Use & Care manual, or ask your dealer.

Specifications are for planning purposes only. Refer to installation instructions and consult your countertop supplier prior to making counter opening. Consult with a heating and ventilation engineer for your specific ventilation requirements. For the most detailed information, refer to installation instructions accompanying product or write to Thermador indicating the model number. Specifications are correct at time of printing. Thermador reserves the right to change product specifications or design without notice. Some models are certified for use in Canada. Thermador is not responsible for products that are transported from the U.S. for use in Canada.

ME302YP

30-INCH DOUBLE BUILT-IN OVEN

MASTERPIECE® SERIES WITH PROFESSIONAL HANDLE



Home Connect

FEATURES & BENEFITS

- WiFi smart appliance capabilities include personalized control, notifications & remote diagnostics via Home Connect app
- Upper oven features 11 heating modes with 1 Full Access® telescopic rack and lower oven features 5 heating modes with two additional standard racks
- Convection multi-rack mode gives uniform baking results even when using all 3 racks simultaneously
- SoftClose® hinges prevent slamming and ensure ultra-smooth closing
- Self-clean mode cleans interior walls and rack supports in as little as 2 hours

ACCESSORIES (INCLUDED)

Upper Cavity: 1 Telescopic and 2 Standard Oven Racks
 Lower Cavity: 2 Standard Oven Racks

GENERAL PROPERTIES

Heating Modes – Upper Cavity

(11) Bake, Variable Broil (hi & low), Roast, Warm, Proof Dough, Convection Bake, Convection Broil, Convection Roast, Pizza, True Convection, Fast Preheat

Heating Modes – Lower Cavity

(5) Bake, Variable Broil (hi & low), Roast, Warm, Sabbath

Sabbath (Upper & Lower Cavity)	Yes
Cleaning Type (Upper & Lower Cavity)	Self Clean
Telescopic Rack	1 (Upper Cavity)
Standard Racks	4 (2 Upper & 2 Lower Cavity)
Interior Lights	Upper Cavity 2 (Halogen) Lower Cavity 2 (Halogen)
Home Connect (Wi-Fi Enabled)	Yes

OVEN PERFORMANCE

Bake / Broil Element (Upper & Lower Cavity)	2,400 W (4 passes) / 3,800 W (12 passes)
Convection Element (Upper Cavity Only)	2,200 W

TECHNICAL DETAILS

Watts (240 / 208 V)	8,500 / 6,500 W
Circuit Breaker	40 Amp
Volts	240 / 208 V
Frequency	60 Hz
Plug Type	Fixed Connection, No Plug
Conduit	60" 4-Wire
Energy Source	Electric

DIMENSIONS & WEIGHT

Overall Appliance Dimensions (HxWxD)	52 1/16" x 29 3/4" x 24 1/2"
Trim Overlaps (Top – Sides – Bottom)	3/8" to 2" – 9/16" – 0"
Required Cutout Size (HxWxD) – Standard	49 3/4" – 51 1/2" x 28 1/2" x 23 1/2"
Required Cutout Size (HxWxD) – Flush	52 3/16" x 30" x 24 1/2"
Oven Cavity Size	Upper Cavity 4.6 cu. ft. Lower Cavity 4.6 cu. ft.
Overall Oven Interior Dimensions (HxWxD)	17 13/16" x 24 1/8" x 17 13/16"
Usable Oven Interior Dimensions (HxWxD)	12 5/16" x 23 1/4" x 15 1/4"
Net Weight	296 lbs

WARRANTY

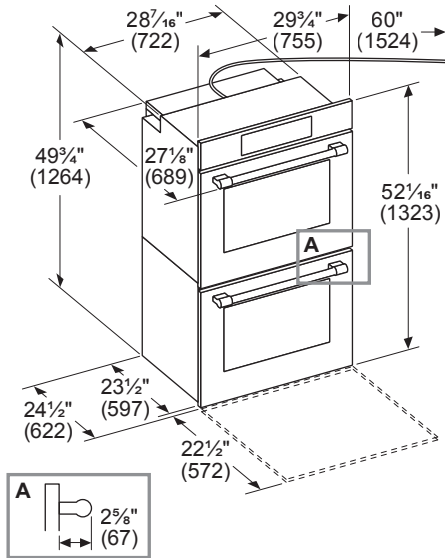
Limited Warranty Parts and Labor	2 Year
----------------------------------	--------

ME302YP
30-INCH DOUBLE BUILT-IN OVEN
 MASTERPIECE® SERIES WITH PROFESSIONAL HANDLE

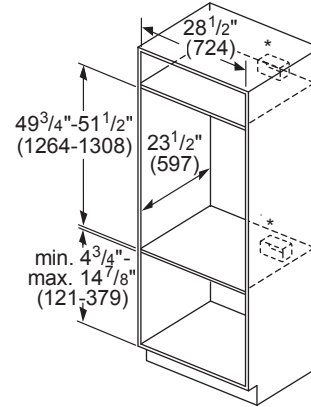


30-INCH DOUBLE OVEN

measurements in inches (mm)
 30" double oven appliance dimensions

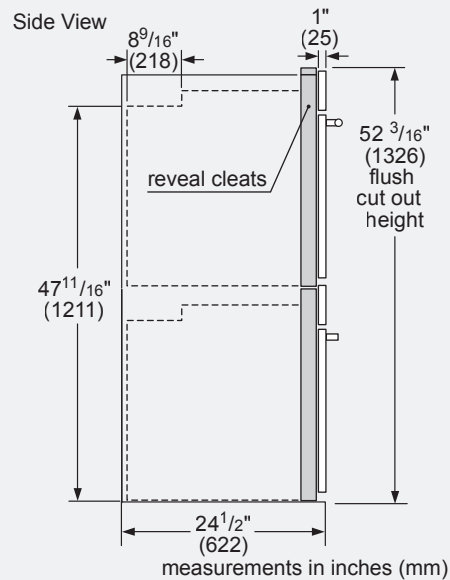
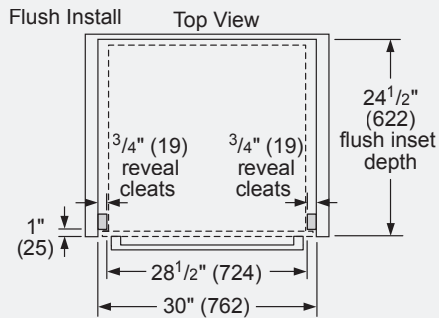


Double Oven Wall Mount Installation



* Junction box may be installed above, below, or to the left or right of the unit within range of the power conduit.

measurements in inches (mm)



measurements in inches (mm)

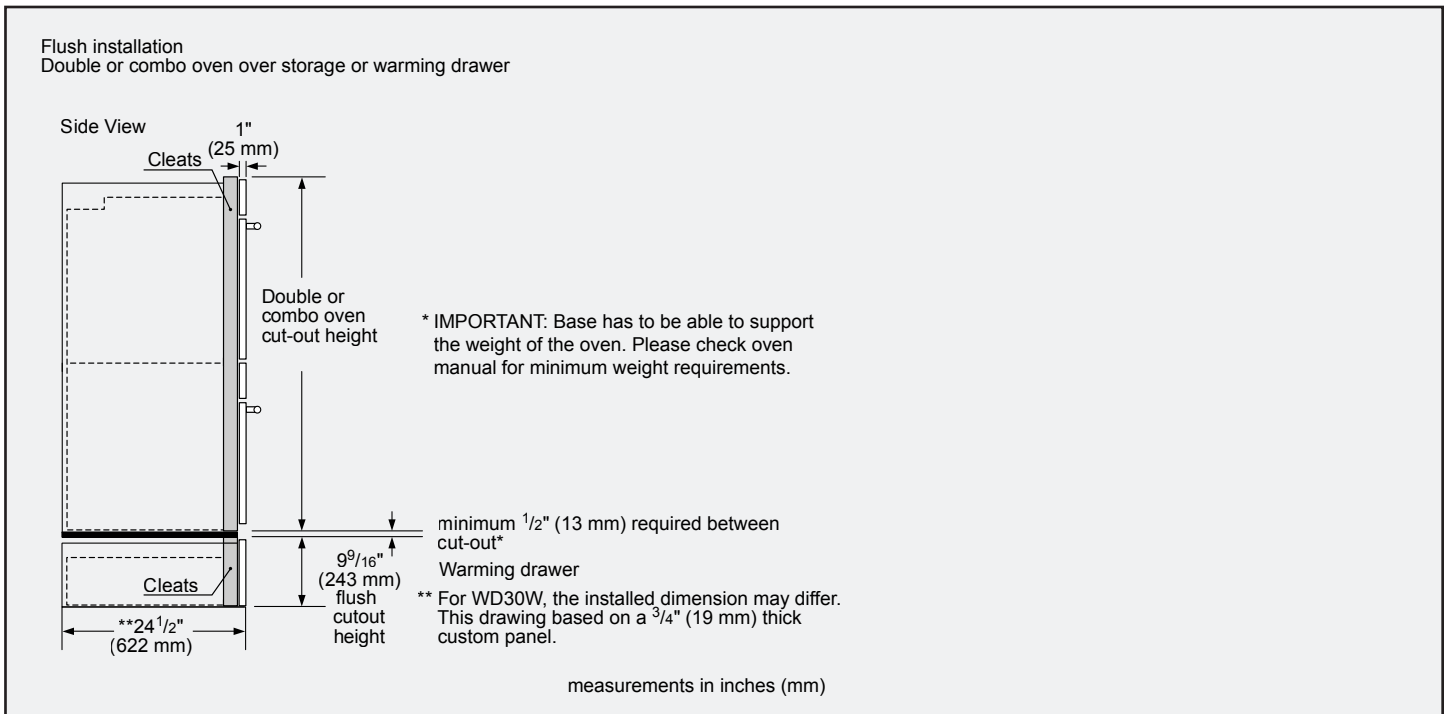
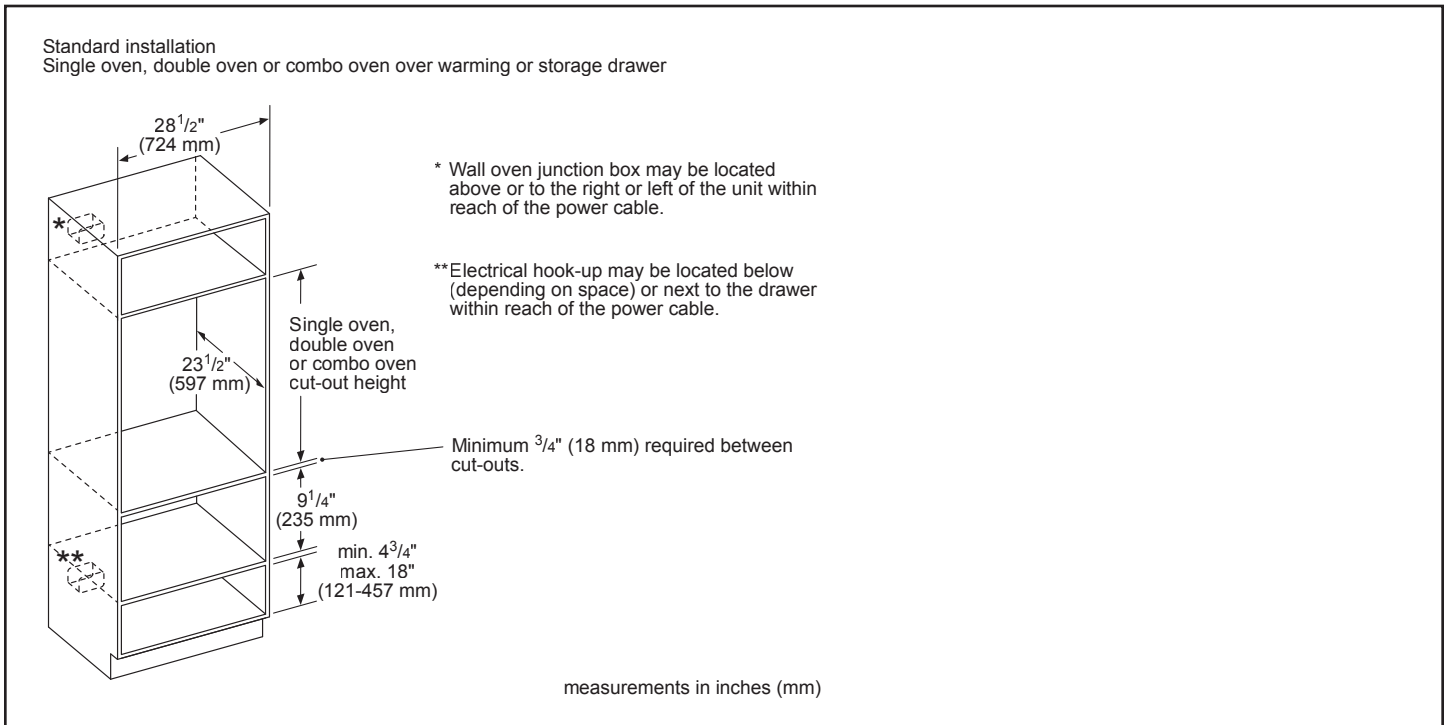
ME302YP

30-INCH DOUBLE BUILT-IN OVEN

MASTERPIECE® SERIES WITH PROFESSIONAL HANDLE



INSTALLATION DETAILS



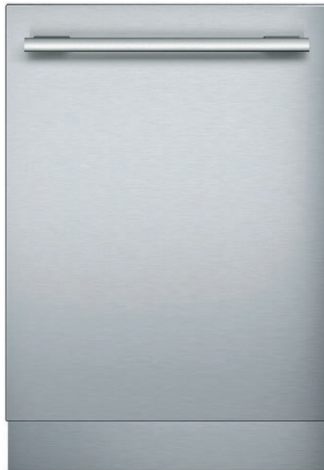
These warranties give you specific legal rights and you may have other rights that vary from state to state. Limited warranty from date of purchase. For complete warranty details, refer to your Use & Care manual, or ask your dealer.

Specifications are for planning purposes only. Refer to installation instructions and consult your countertop supplier prior to making counter opening. Consult with a heating and ventilation engineer for your specific ventilation requirements. For the most detailed information, refer to installation instructions accompanying product or write to Thermador indicating the model number. Specifications are correct at time of printing. Thermador reserves the right to change product specifications or design without notice. Some models are certified for use in Canada. Thermador is not responsible for products that are transported from the U.S. for use in Canada.

DWHD560CFM

EMERALD® 5-PROGRAM DISHWASHER

MASTERPIECE® SERIES HANDLE



Home Connect

Also Available In:

DWHD560CFP – Flat Stainless Steel Panel with Professional Series Handle

DWHD560CPR – Custom Panel

FEATURES & BENEFITS

- Chef's Tool Drawer (3rd Rack) is designed to make loading and unloading tools and hard to place items extraordinarily easier
- Sens-A-Wash® measures water cleanliness and adjusts wash cycle
- Three stage advanced filtration recirculates water for sparkling results
- 3-Level adjustable upper rack is customizable for all of your needs, designed to be raised for extra large items placed on the bottom rack, or lowered to fit taller wine glasses on the upper rack
- Extra Dry Option adds extra heat to the final rinse to enhance drying results
- Impressively Quiet® — 48 dBA for peaceful kitchen experience
- Thermador connected experience by Home Connect enables exclusive dishwasher features and appliance interaction through app, voice, smartwatch and more

GENERAL PROPERTIES

Number Of Wash Cycles	5
Number Of Options	6
NSF®-Certified* Sanitize Option	Yes
dBA	48
Third Rack	Chef's Tool Drawer®
Rack Adjustability	Rackmatic 3-Stage
Tub Material	Stainless Steel
Control Type	Touch Control
Concealed Water Heating Element	Yes
Leak Protection System	24/7 AquaStop®
Water Softener	No
Five-Level Wash	Yes
Childlock	No
Home Connect (Wi-Fi Enabled)	Yes

EFFICIENCY

Water Usage Per Cycle	3.5 g
Energy Efficiency Class	Tier 1
ENERGY STAR® Certified	No
Total Annual Energy Consumption	269 kWh
Total Annual Water Consumption	624 g

CAPACITY

Number Of Place Settings	16
--------------------------	----

TECHNICAL DETAILS

Watts	1,440 W
Current	12 A
Volts	120 V
Frequency	60 Hz
Power Cord Length	67"
Power Cord Install Length from Corner of Unit when Facing the Door	Left - 45" Right - 56"
Minimum Water Pressure	14 (lb/sin)
Max. Temperature for Water Intake	140° F
Length Inlet Hose	N/A
Length Outlet Hose	79"

DIMENSIONS & WEIGHT

Overall Appliance Dimensions (HxWxD)	33 7/8" x 23 9/16" x 23 3/4"
Required Cutout Size (HxWxD)	33 7/8" Min. x 24" Min. x 24"
Adjustable Feet	Yes
Net Weight	92 lbs

*Certification to NSF/ANSI Standard 184 for residential dishwashers

DWHD560CFM

EMERALD® 5-PROGRAM DISHWASHER

MASTERPIECE® SERIES HANDLE



WARRANTY	
Limited Warranty, Entire Appliance, Parts and Labor	2 Year
Limited Warranty for Microprocessor or Printed Circuit Board; Parts Only	3rd to 5th Year
Limited Warranty for Racks (Does Not Include Rack Components); Parts Only	3rd to 5th Year
Limited Warranty for Rust-through On Inner Tub Liner; Parts Only	Lifetime

ACCESSORIES (OPTIONAL)	
Dishwasher Installation Kit (Junction Box, 90° Elbow and Water Supply Hose)	SMZ3IN1UC
Dishwasher Supply and Drainage Hose Extension 76 3/4"	SGZ1010UC
Junction Box	SMZPCJB1UC
Cabinet Protector with Power Cord Clip	SMZEPCC1UC
Water supply hose	SMZSH002UC
Dishwasher Accessory Kit**	SMZ5000
Duo Silverware basket	SMZ4000UC
Fine Silverware Carafe	SMZ5002UC

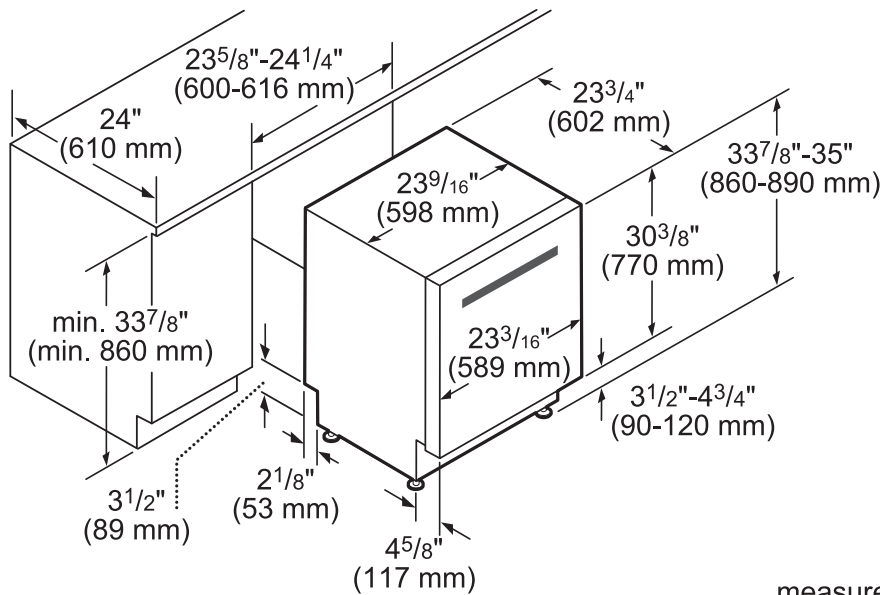


**Accessory Kit includes Extra-Tall-Item Sprinkler, Vase / Bottle Holder, 3 Plastic Item Clips and Small Item Basket



Fine Silverware Carafe

DISHWASHER & CUTOUT DIMENSIONS



measurements in inches and mm

These warranties give you specific legal rights and you may have other rights that vary from state to state. Limited warranty from date of purchase. For complete warranty details, refer to your Use & Care manual, or ask your dealer.

Specifications are for planning purposes only. Refer to installation instructions and consult your countertop supplier prior to making counter opening. Consult with a heating and ventilation engineer for your specific ventilation requirements. For the most detailed information, refer to installation instructions accompanying product or write to Thermador indicating the model number. Specifications are correct at time of printing. Thermador reserves the right to change product specifications or design without notice. Some models are certified for use in Canada. Thermador is not responsible for products that are transported from the U.S. for use in Canada.