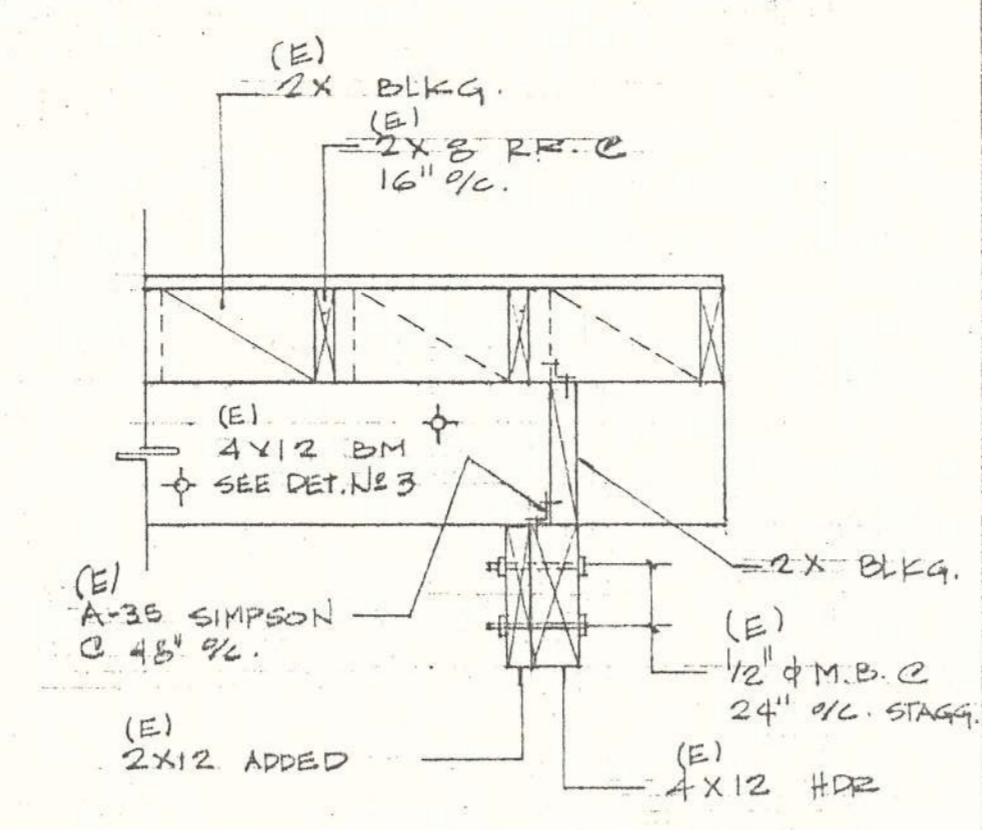


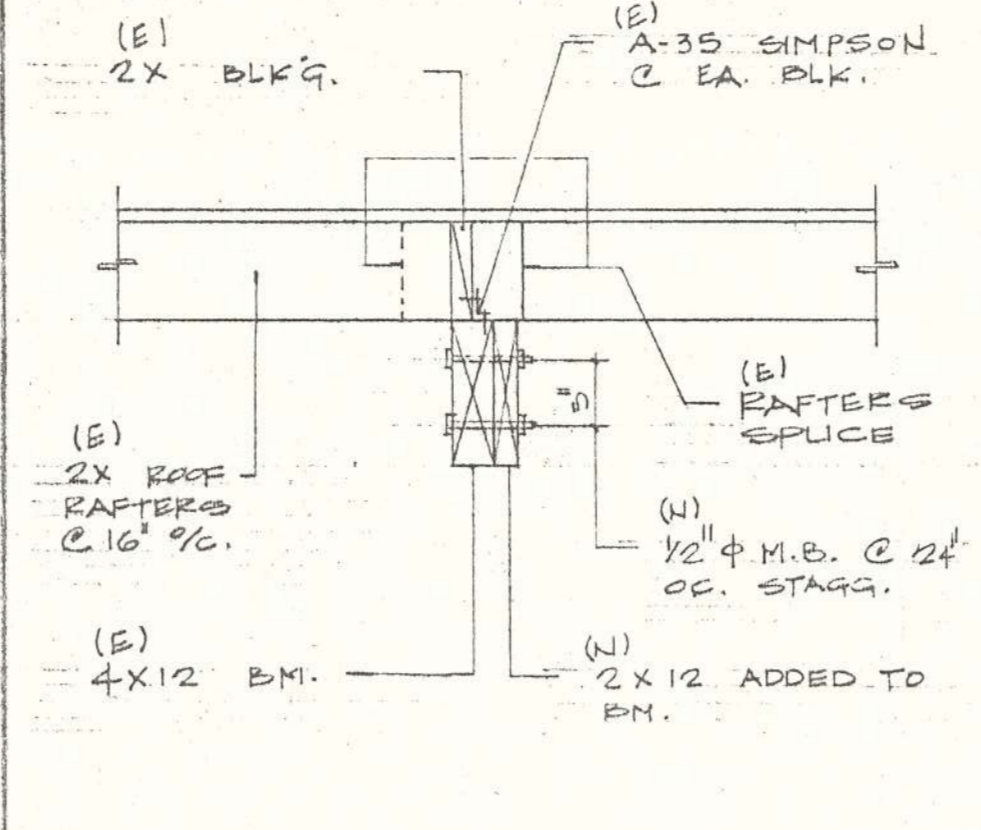
revision	by

DETAIL # 6

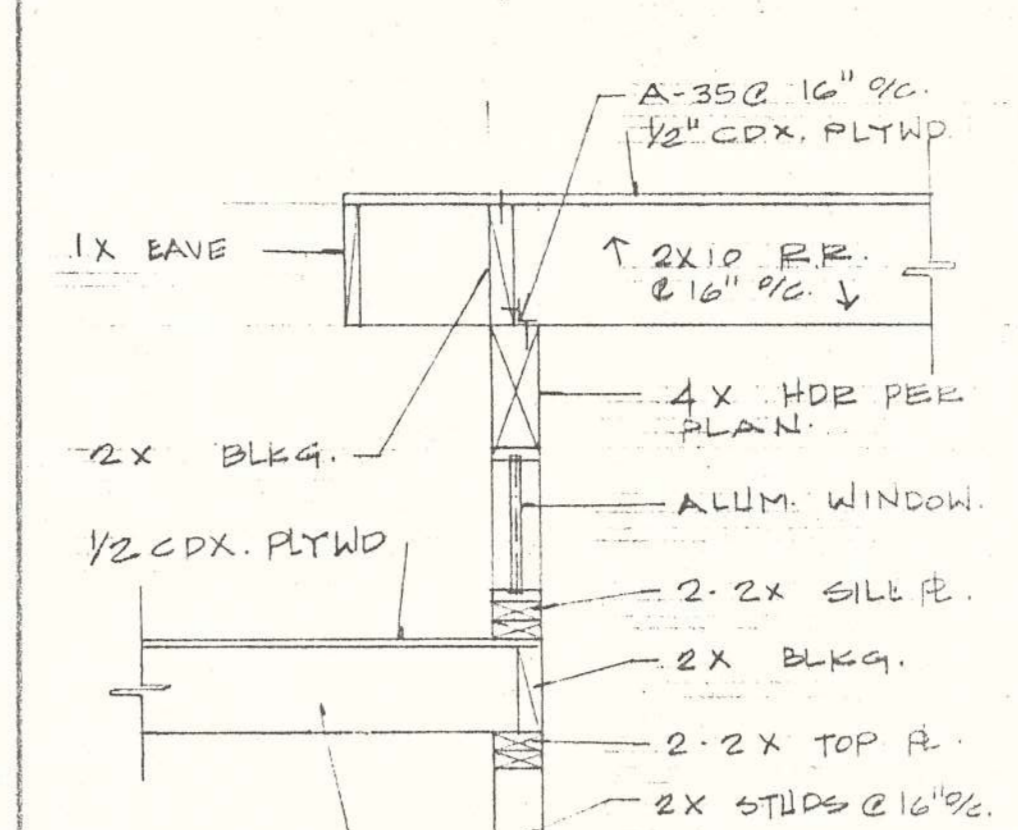
DETAIL # 5



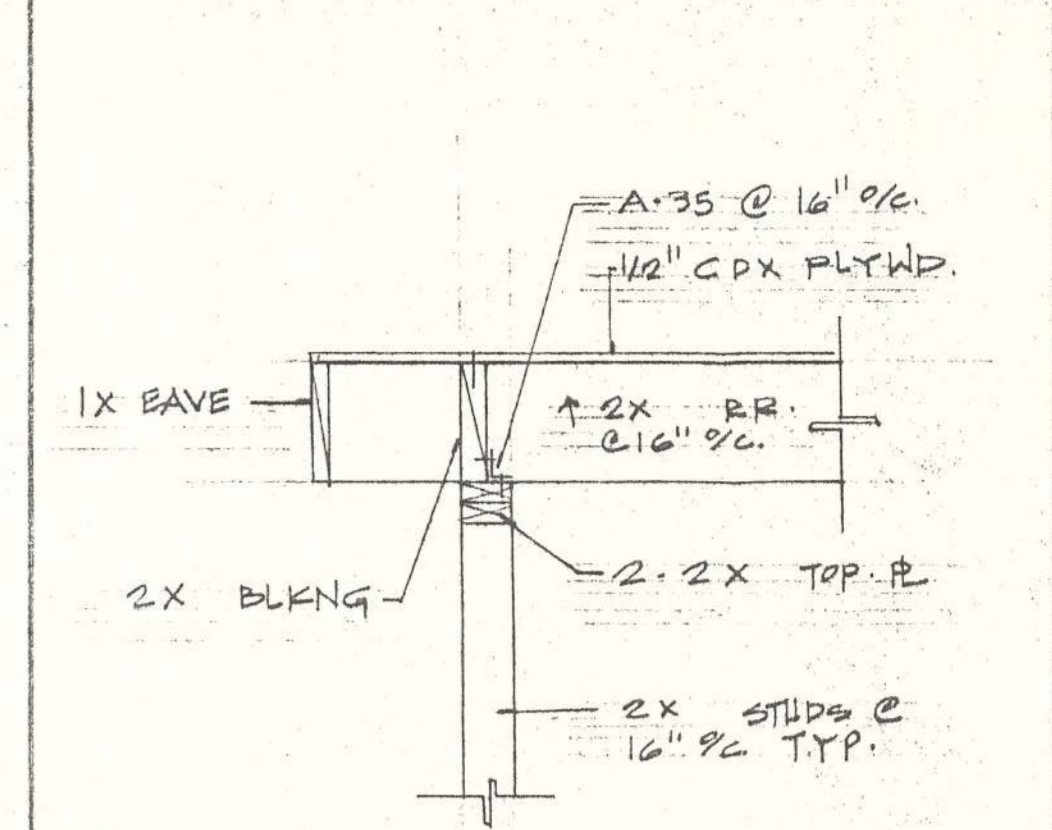
DETAIL # 4



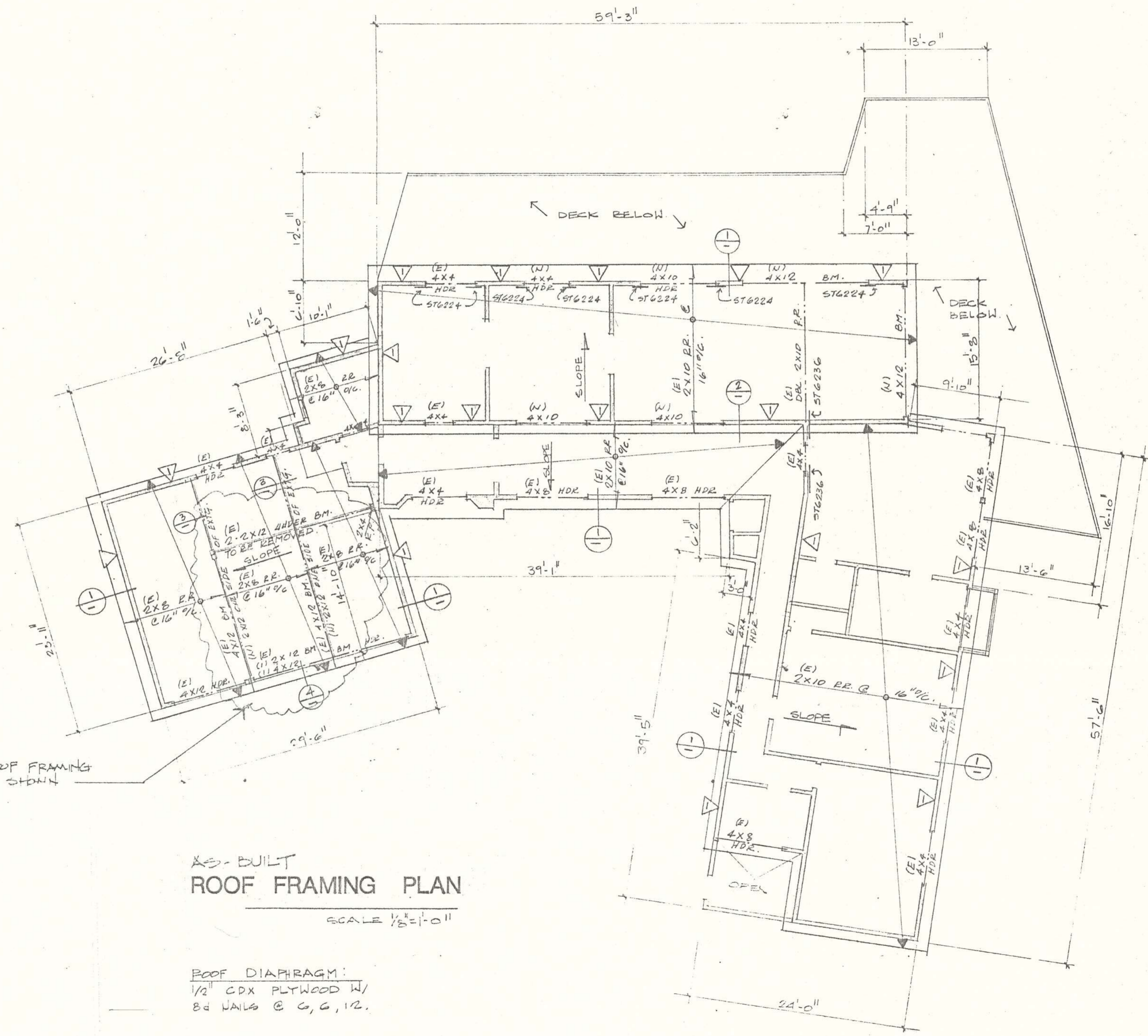
DETAIL # 3



DETAIL # 2



DETAIL # 1



NOTES:
 SPARGE ROOF FRAMING
 REVISED AS SHOWN

**AS-BUILT
 ROOF FRAMING PLAN**
 SCALE 1/8"=1'-0"

ROOF DIAPHRAGM:
 1/2" CDX PLYWOOD W/
 8d NAILS @ 6, 6, 12.

△ ALL SHEAR WALLS TO BE MIN. OF 1/2" DRYWALL
 W/ 50 COOLER NAILS @ 7" o.c., SOLE PLATE
 NAILING TO BE 16d @ 12" o.c., ANCHOR BOLTS
 TO BE 1/2" @ 6'-0" o.c. MAX. AND SIMPSON'S
 A35 @ 48" o.c.

sheet description

ROOF FRAMING PLAN AS-BUILT
 All ideas, designs, and plans indicated or represented by this drawing are the property of David C. Breiholz & Co. and were used by or disclosed to any other person, firm or corporation for any purpose without the written permission of David C. Breiholz & Co.

project description

MR. LOTHER MAERTENS
 19 NARCISSE DRIVE
 RANCHO PALOS VERDES, CA 90274
 408-1525

date	
scale	1/8"=1'-0"
drawn	
job no.	89-43 E
sheet	
of	

david c. breiholz
and company, inc.
 DESIGN · ENGINEERING · CONSTRUCTION
 1500 S. 10TH AVENUE, SUITE 100
 DENVER, CO 80202
 303.733.5555