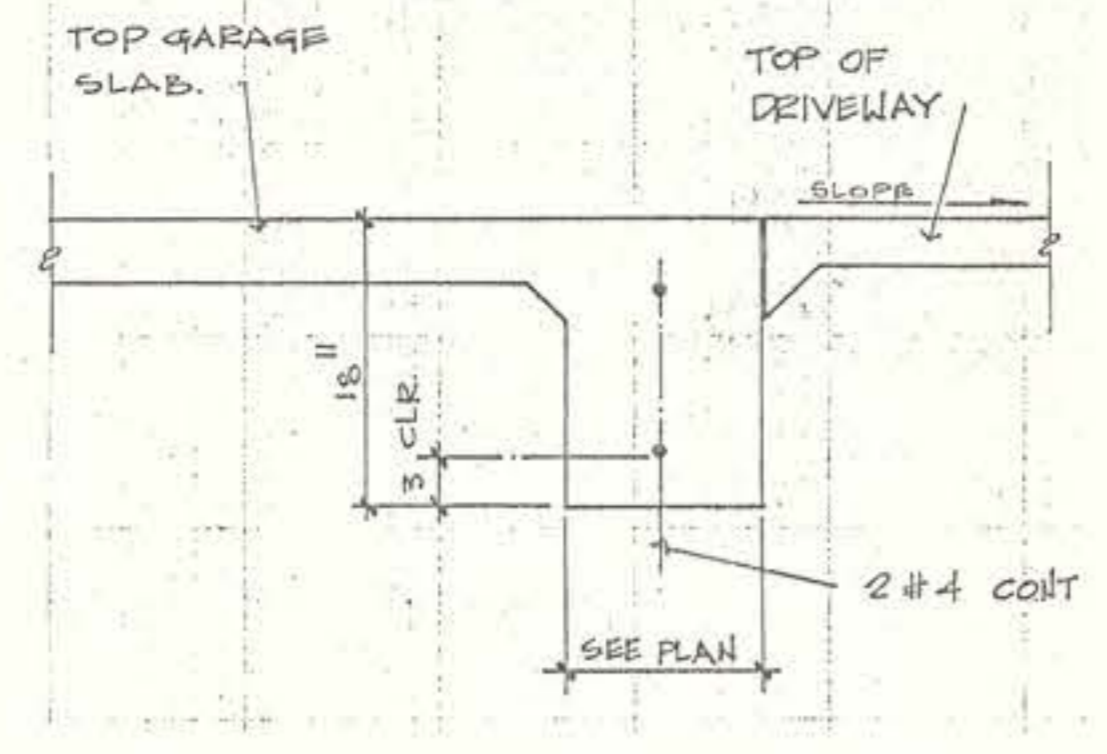
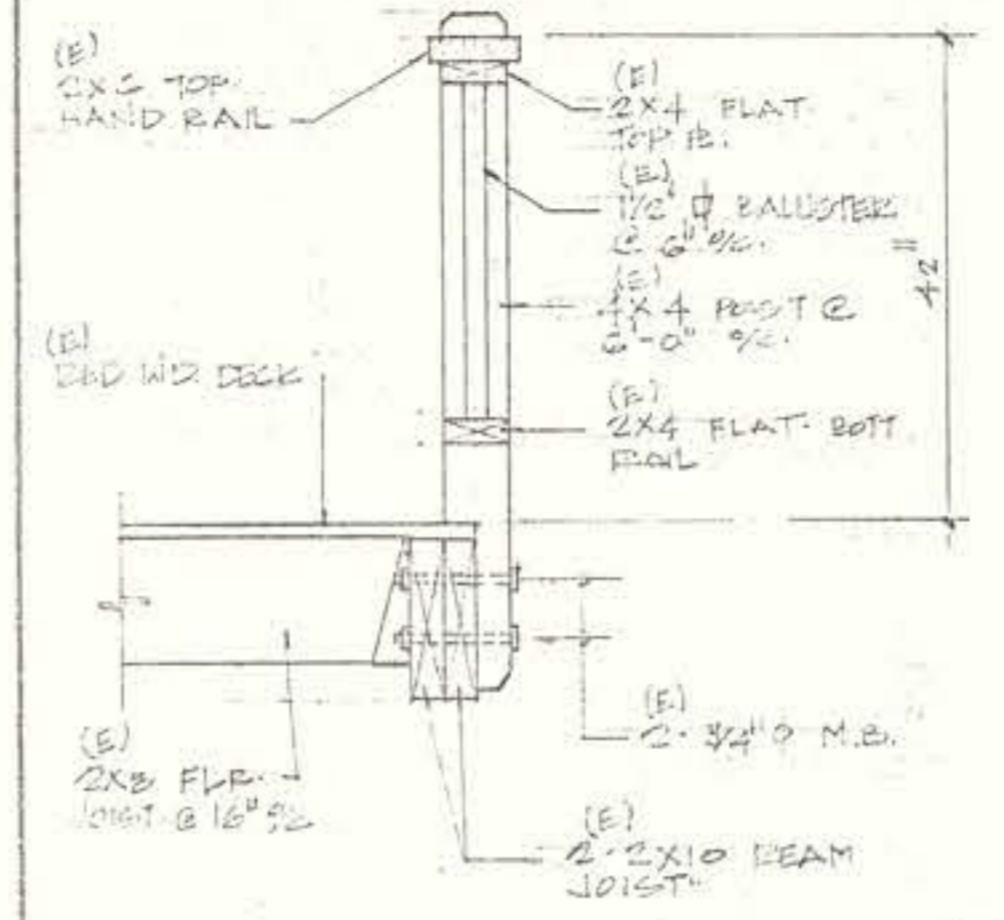


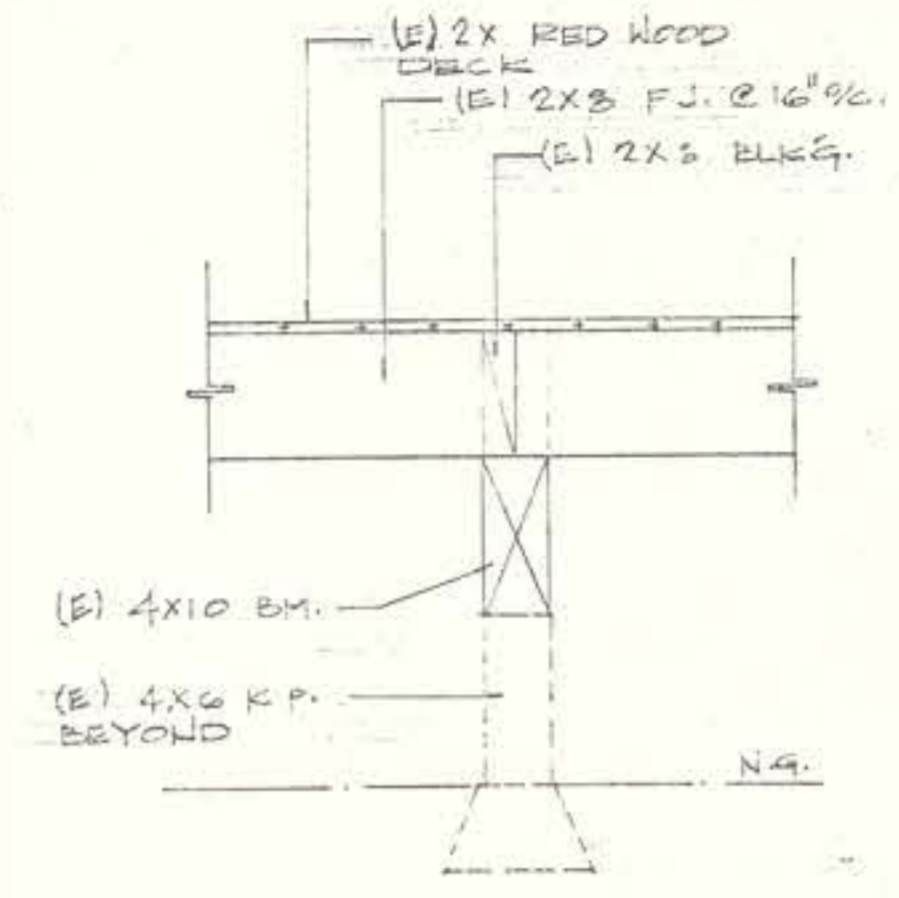
DETAIL # 5



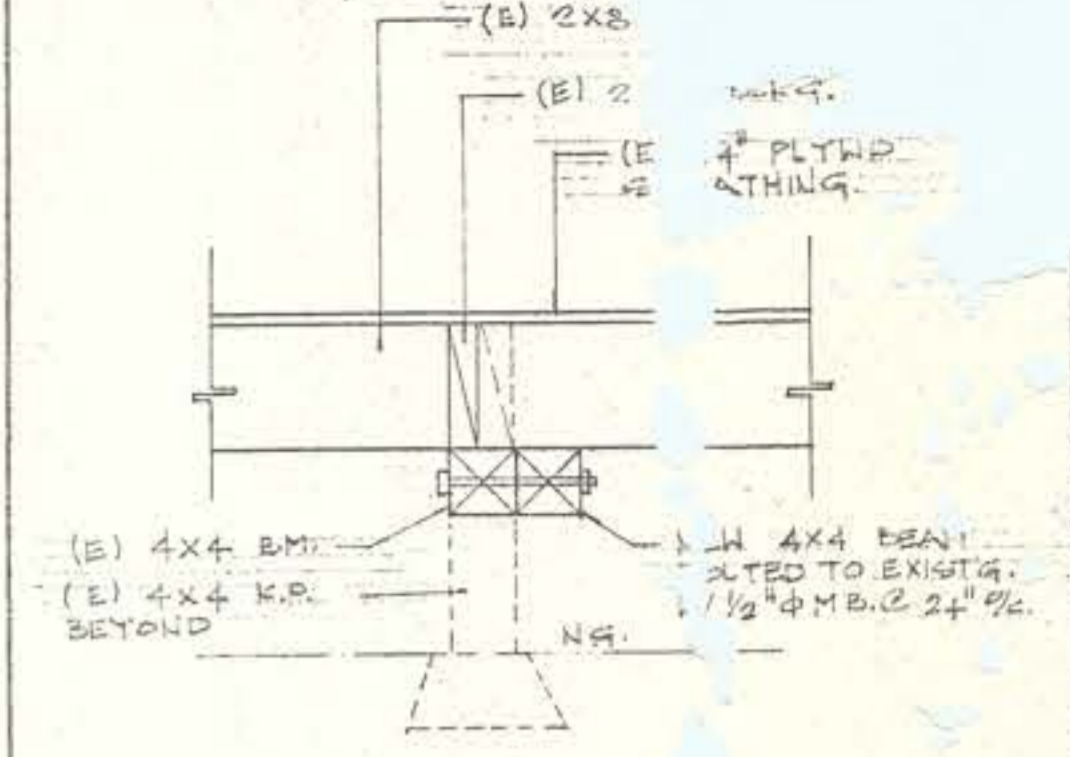
DETAIL # 4



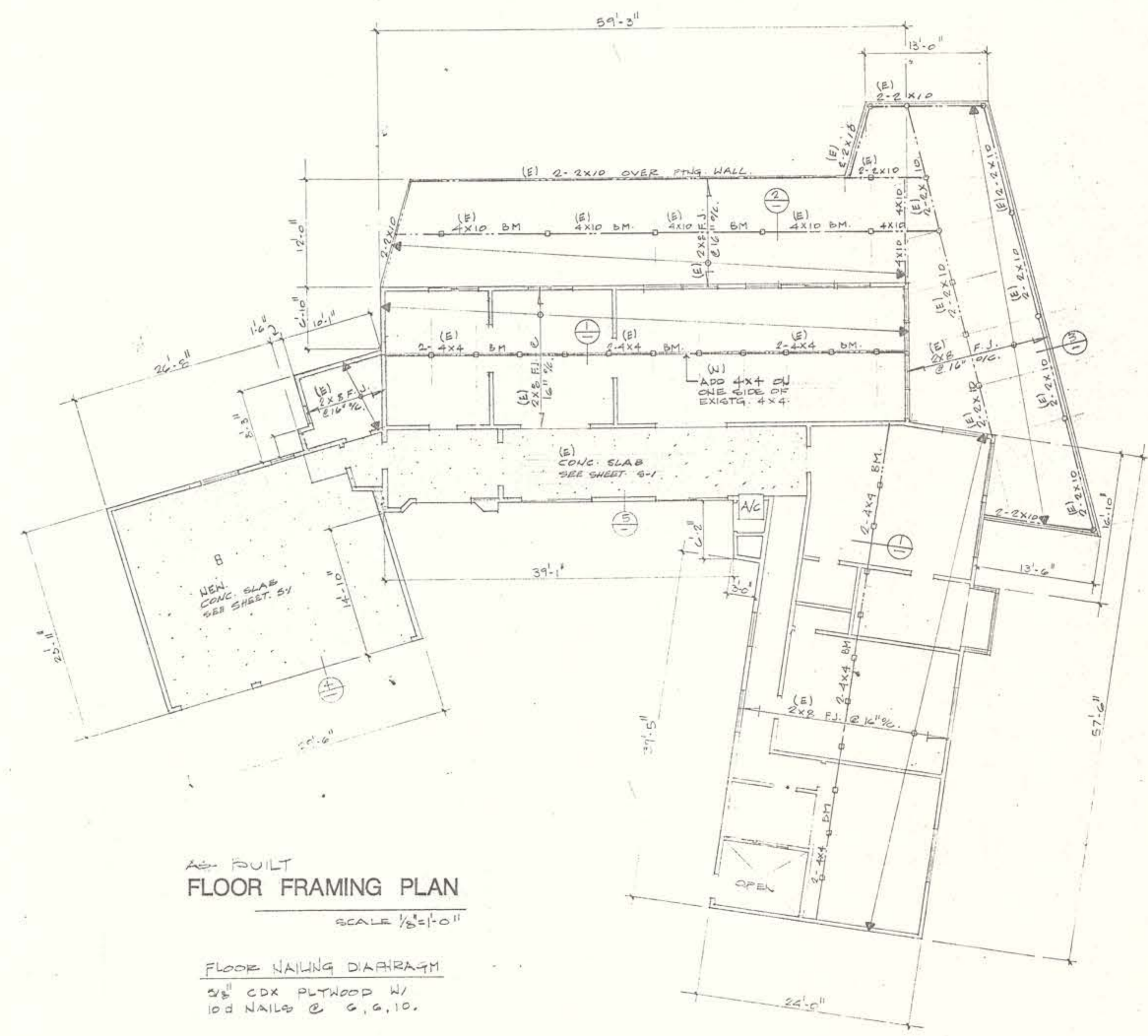
DETAIL # 3



DETAIL # 2



DETAIL # 1



AS-BUILT
FLOOR FRAMING PLAN
SCALE 1/8" = 1'-0"

FLOOR NAILING DIAGRAM
5/8" CDX PLYWOOD W/
10D NAILS @ 6, 6, 10.

on by

David C. Breiholz
and company
DESIGN ENGINEERING CONSTRUCTION

Sheet description
FLOOR FRAMING PLAN, AS-BUILT
The contents of this drawing are prepared or represented by this firm and are not to be used for any other purpose without the written permission of David C. Breiholz & Co., Inc. and are not to be used for any other purpose without the written permission of David C. Breiholz & Co., Inc.

Project description
MR. LOTI FER MAERTENS
10 NARCISSE DRIVE
D FALO ERDES, CA 90274

date
scale
drawn
no. 89-42
sheet